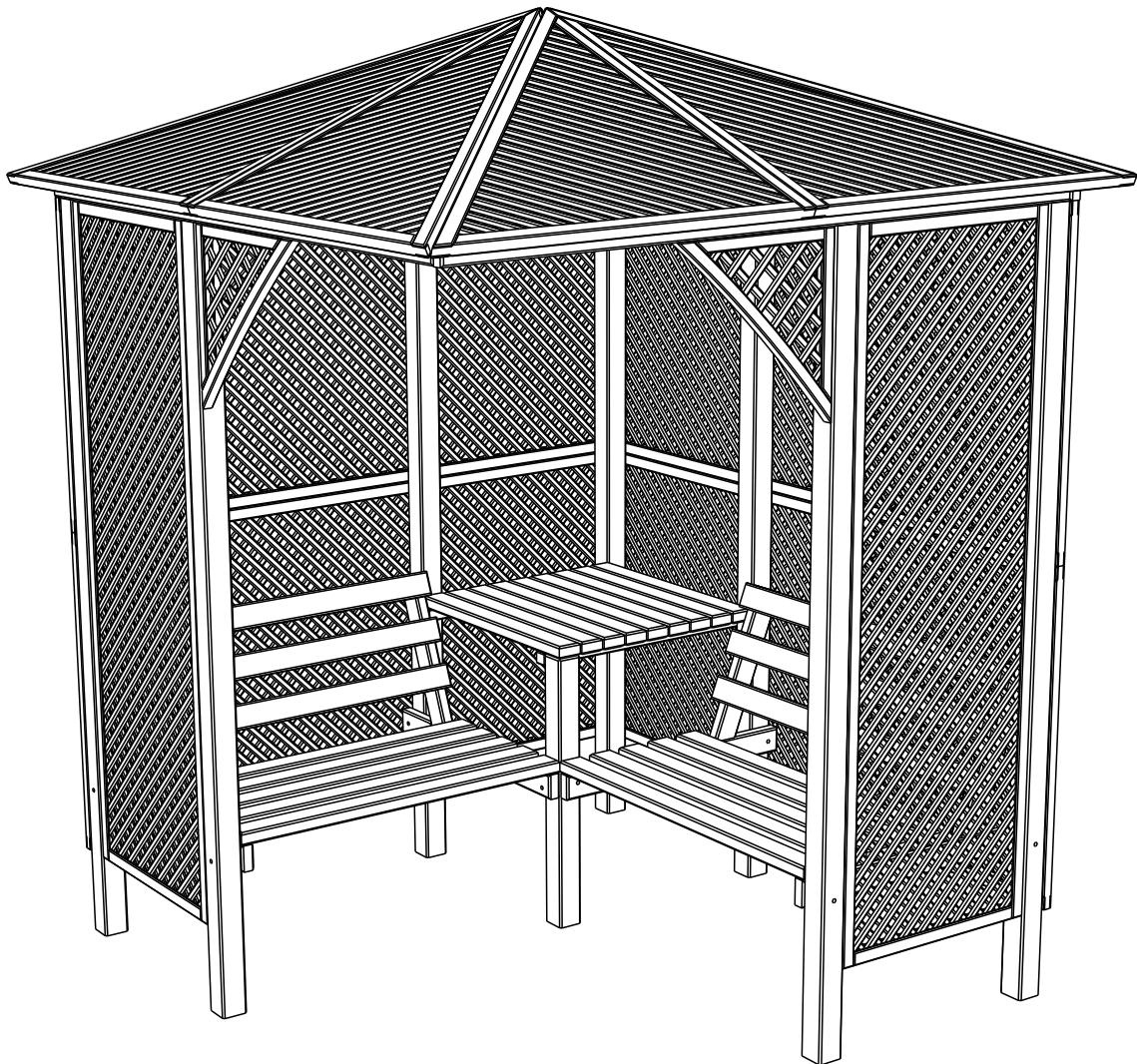


VALENCIA CORNER ARBOUR

VALCORARB 230cm [H] x 200cm [W] x 200cm [D]

260302A002OMBZ01C1

Trellis holes: 4cm sq



The product graphics shown in the instruction are for illustrative purposes only.

BEFORE YOU START

Check the pack/s and make sure that you have all of the parts listed above.

If not, contact your retailer who will be able to help you.

When you are ready to start make sure you have the right tools to hand, plenty of space with a clean and dry area for assembly.

It is advisable for two people to carry out the work.

Where the wood is screwed we advise to pre-bore the holes (the diameter of the holes should be 2mm smaller than the diameter of the used screw)

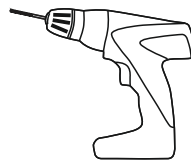
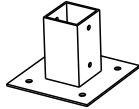
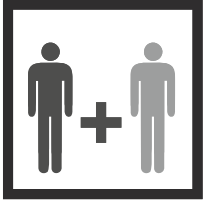
HEALTH AND SAFETY

Do not lean or stand on the roof assembly at any time - the structure is not of a load bearing design.

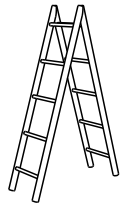
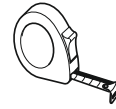
Do not overreach when working from the step ladder

In order to reduce the risk of suffocation please keep all plastic bags and small parts away from children.

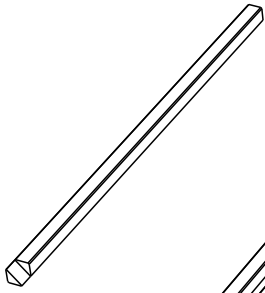
Recommended tools (not included)



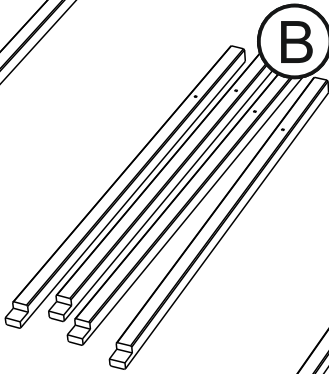
drill or screwdriver



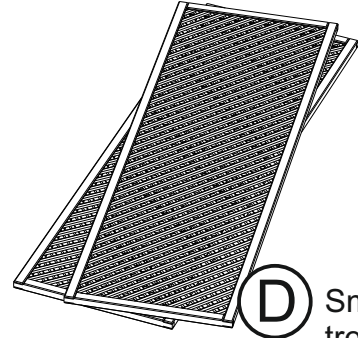
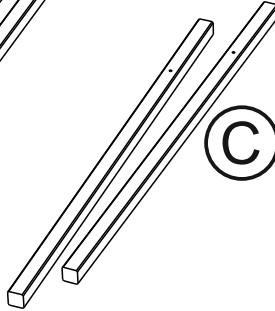
A Back corner post x1



B Side support posts x4

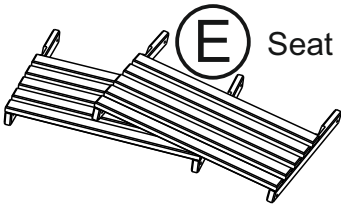


C Seat support posts x2

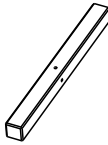


D Small trellis panels x2

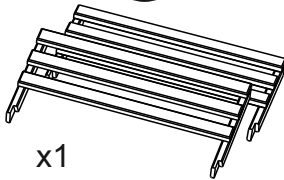
E Seat base x2



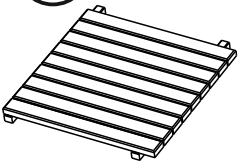
H Table leg/seat support x1



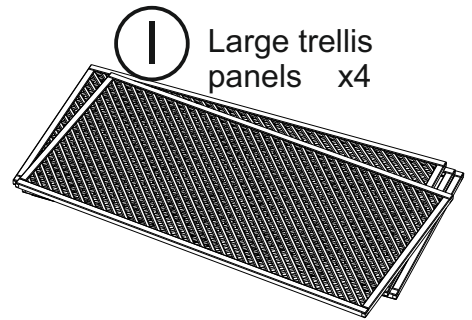
F Seat back x2



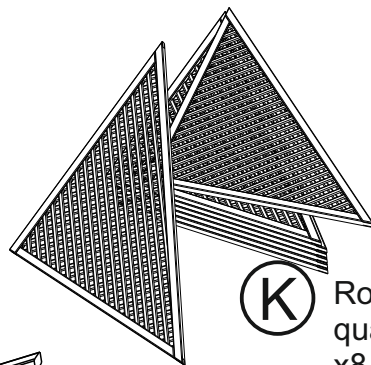
G Table top x1



I Large trellis panels x4

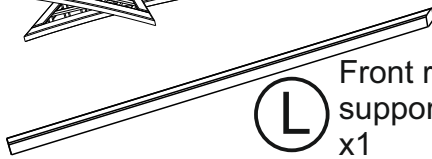


J Corner supports x2



K Roof quadrants x8

L Front roof support beam x1



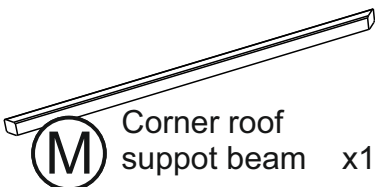
O Vertical roof support x1



P Side wall roof beams x4



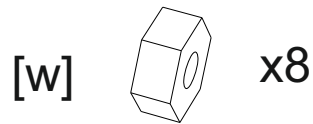
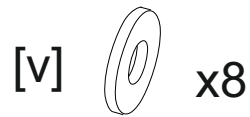
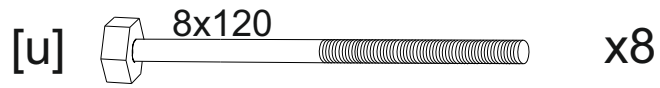
M Corner roof support beam x1



N Support strut x1



Hardware pack



[x]



Screws

**6 cm
x66**

[y]



Screws

**5 cm
x40**

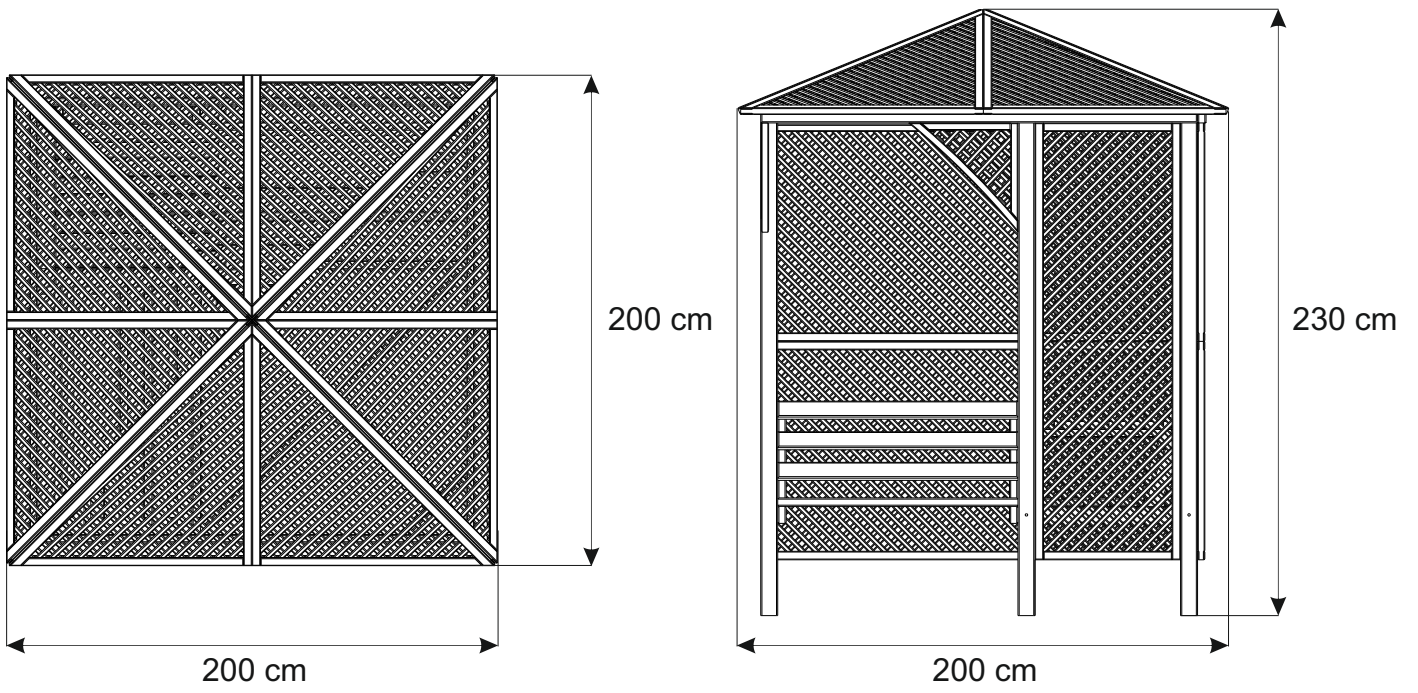
[z]



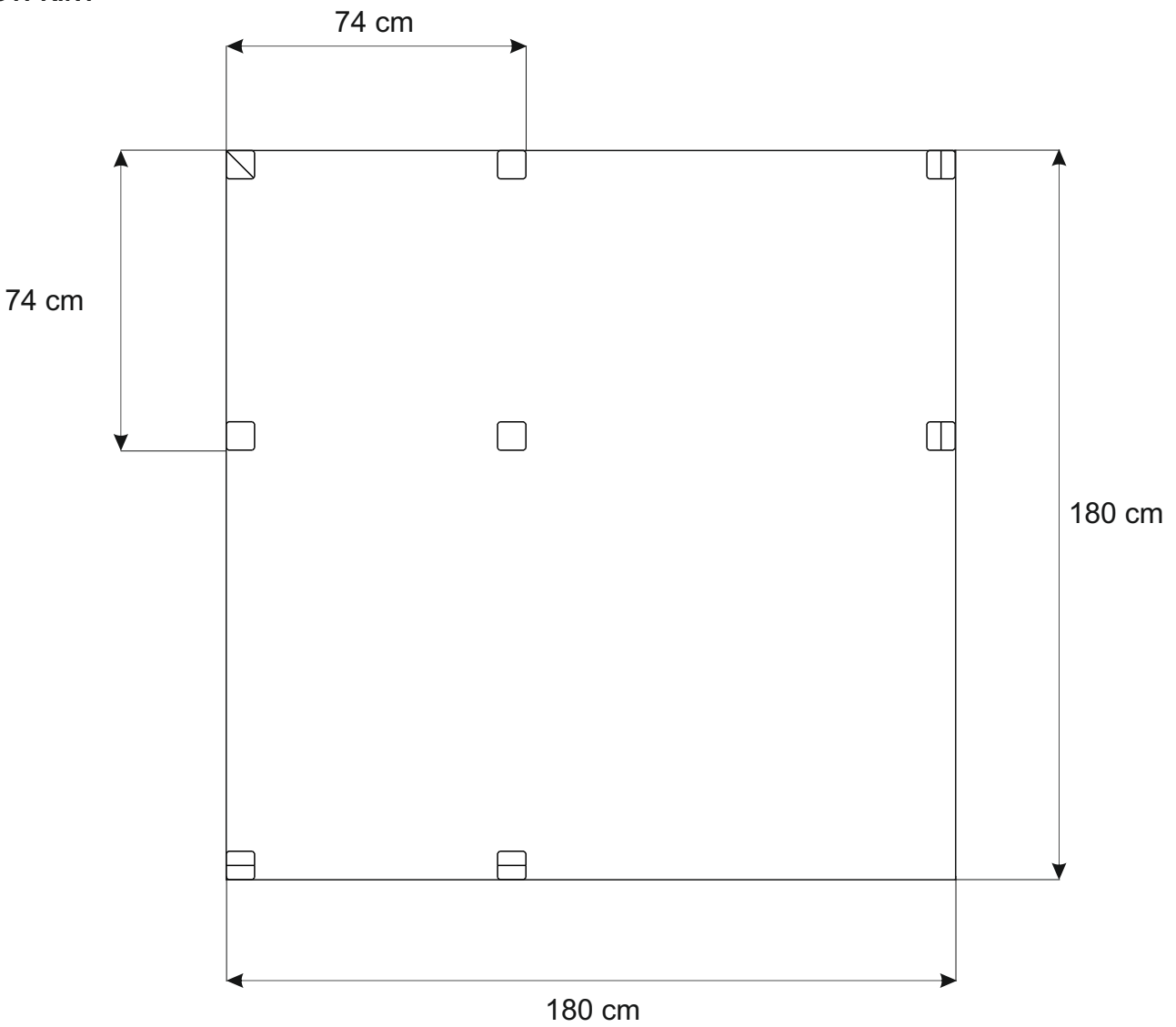
Screws

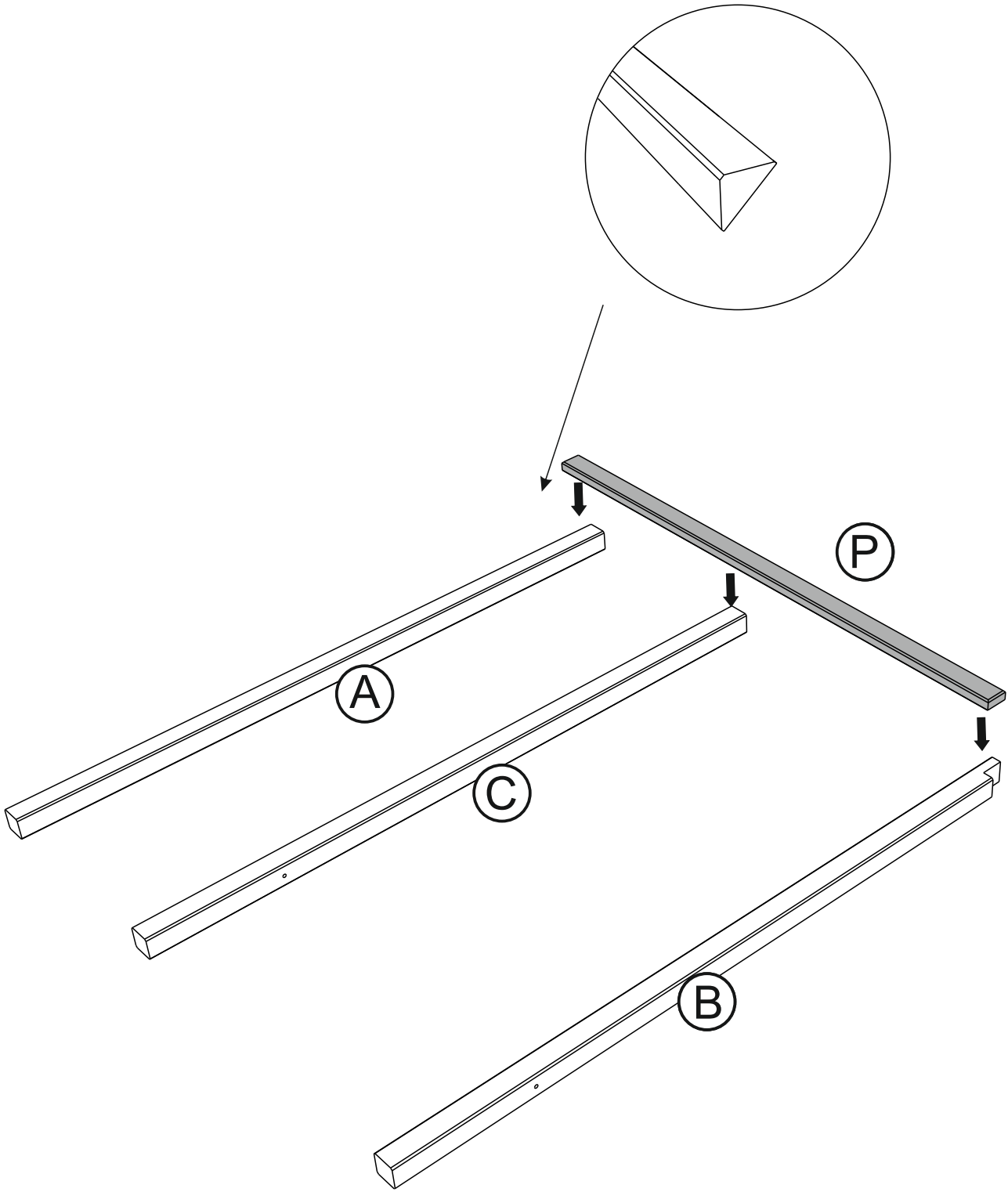
**3,5 cm
x16**

PLAN

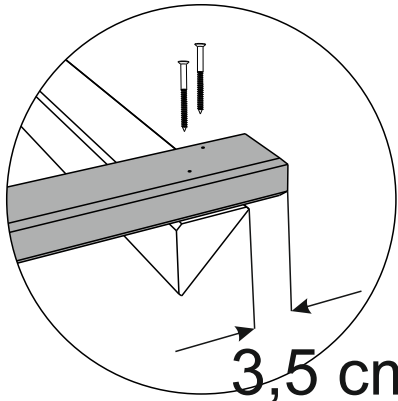


FOOTPRINT

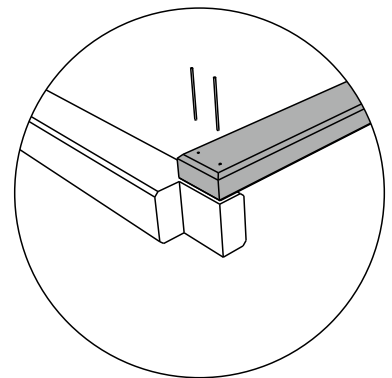
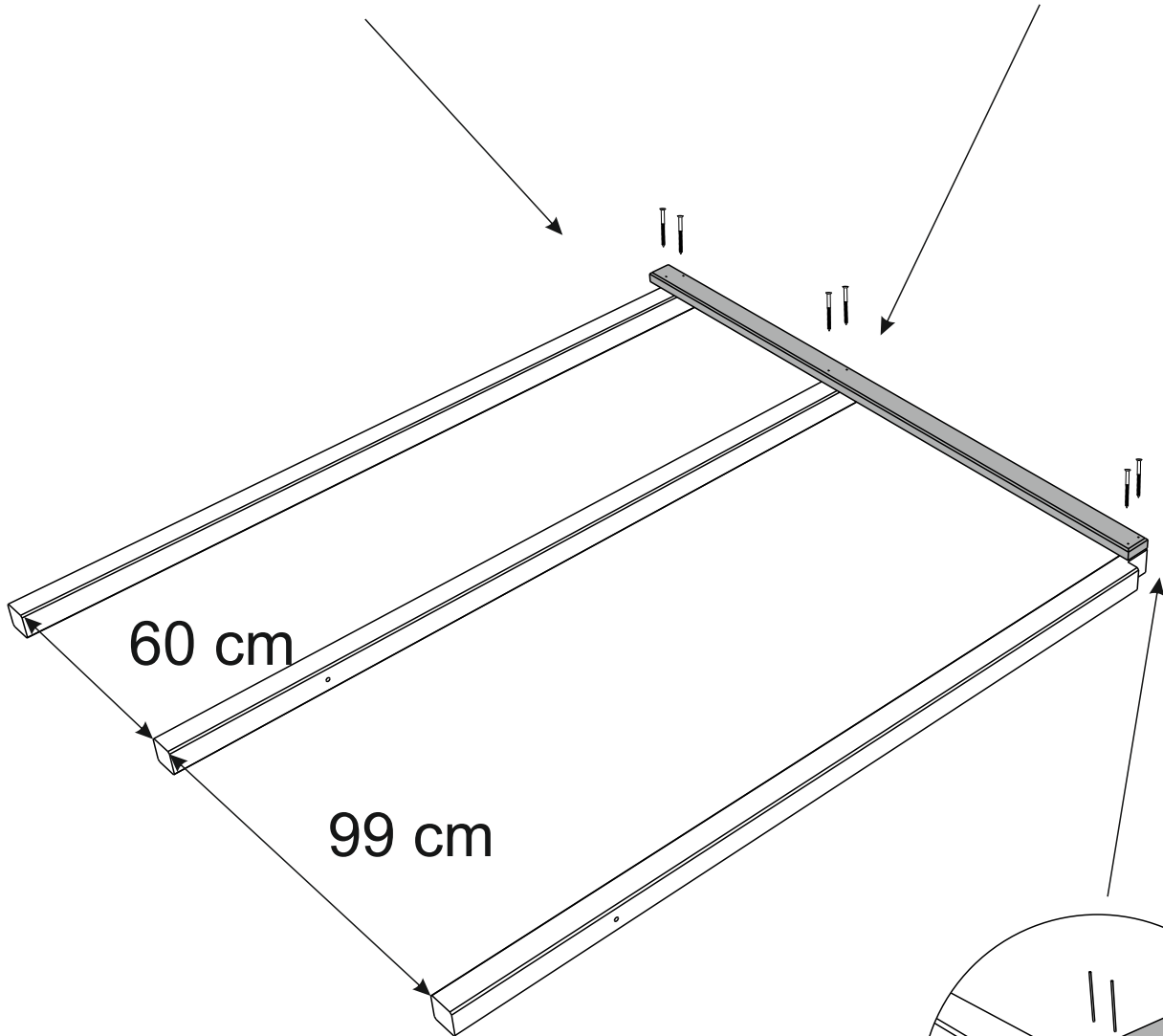
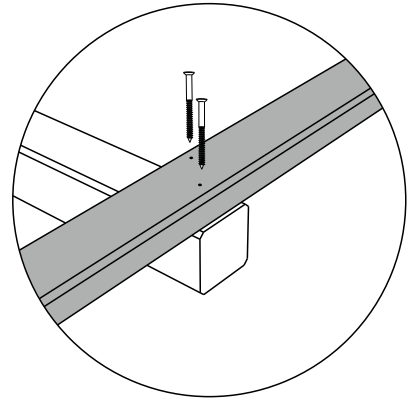


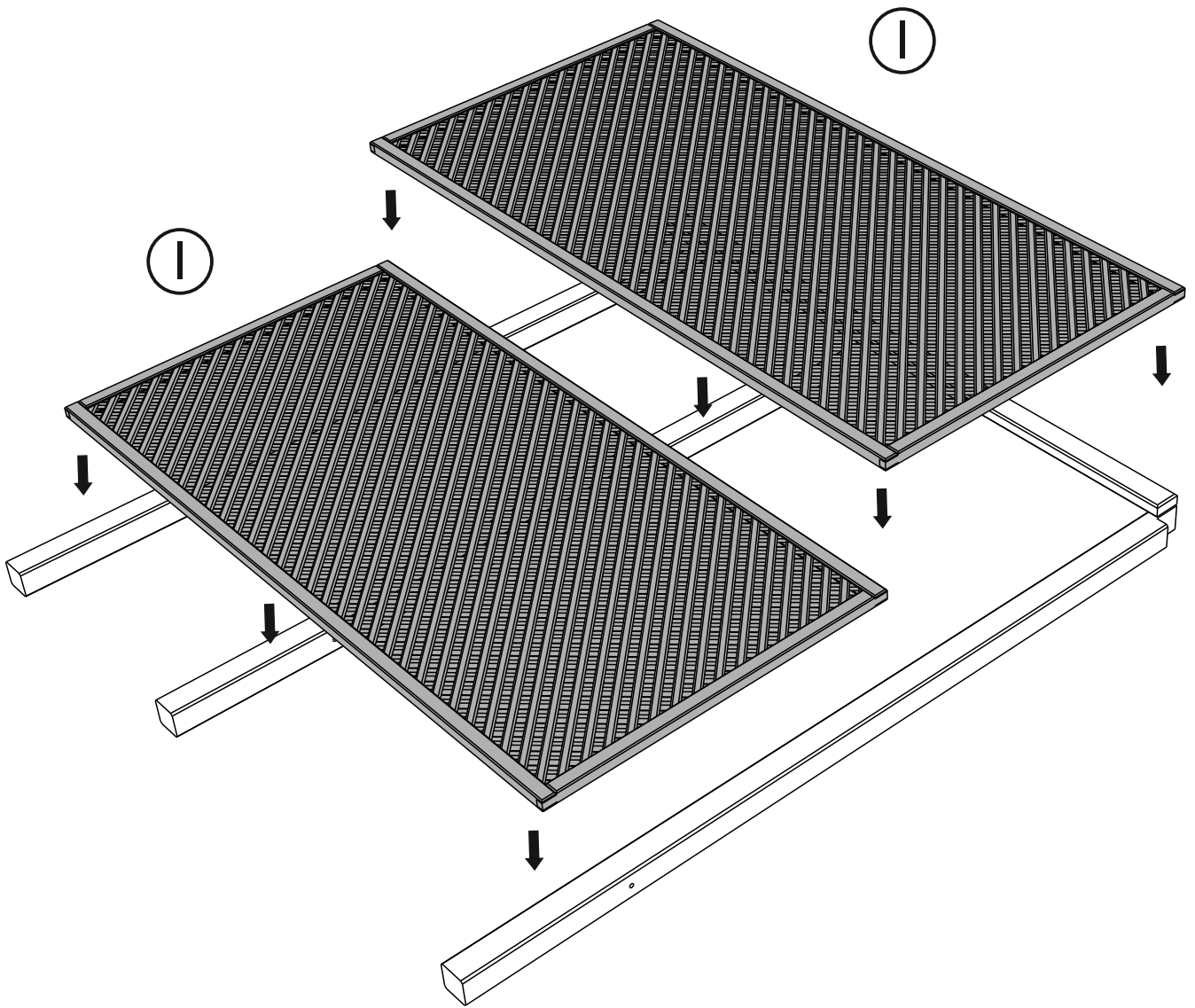


[x]



6 cm
x6

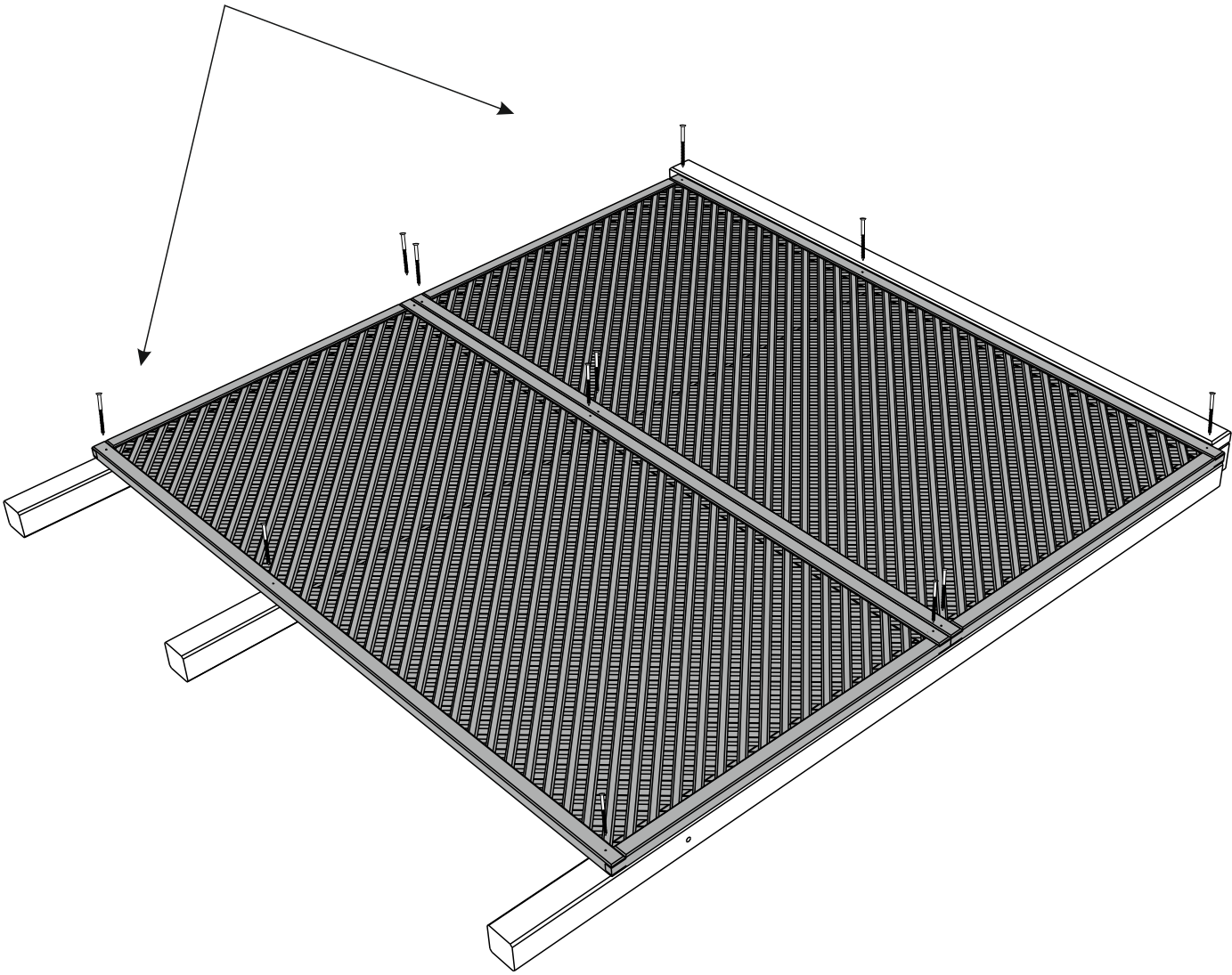


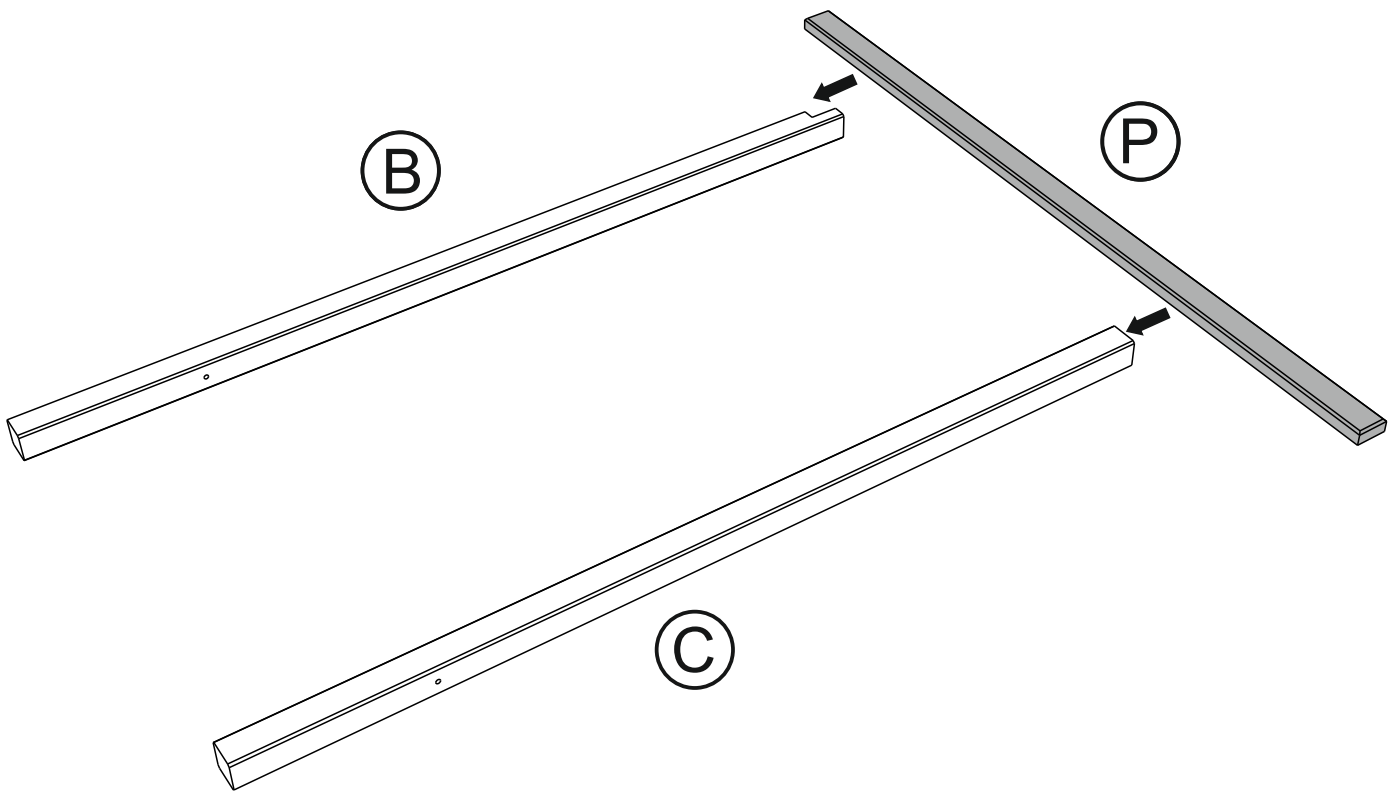


[y]

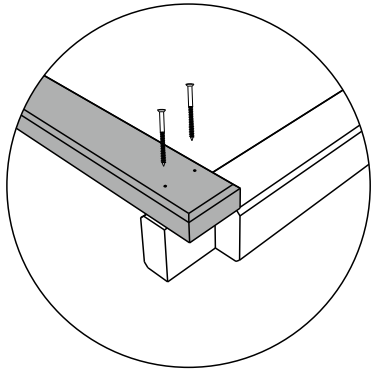


5 cm
x12

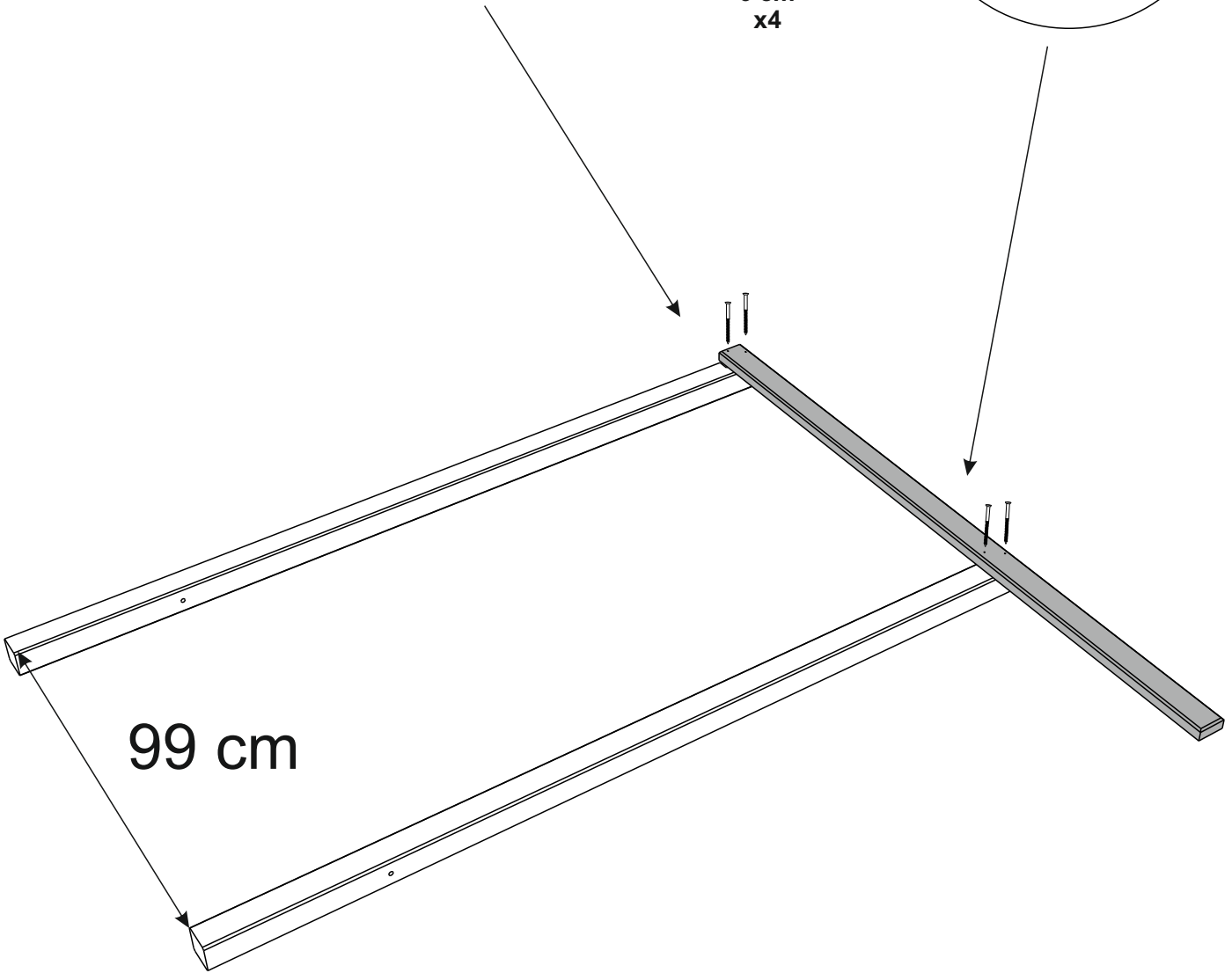
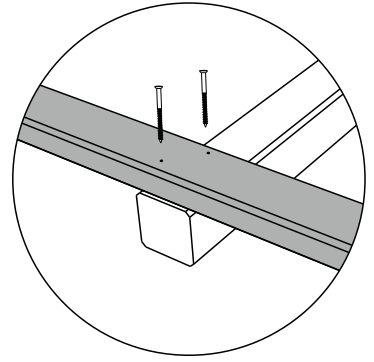


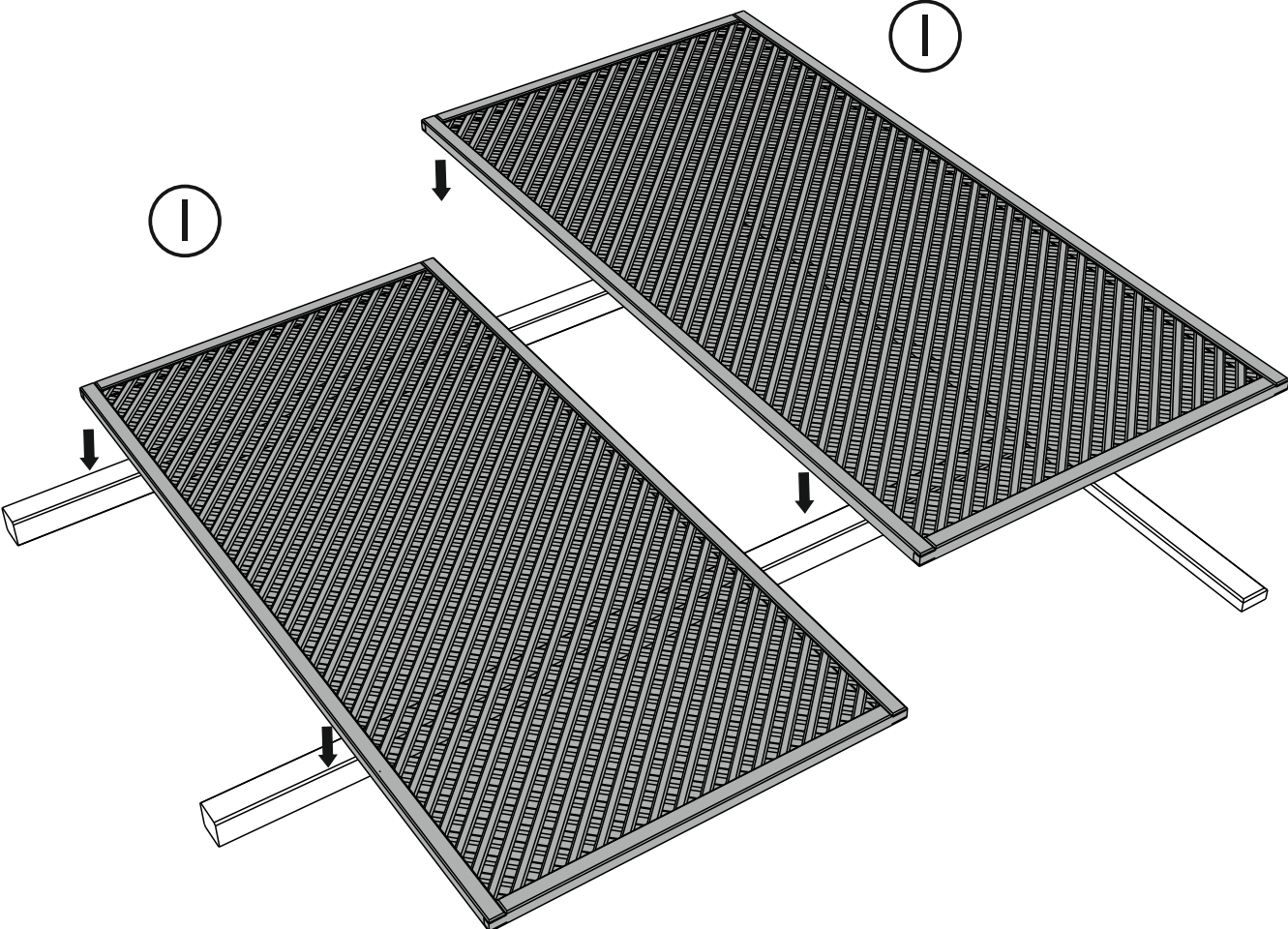


[x]



6 cm
x4

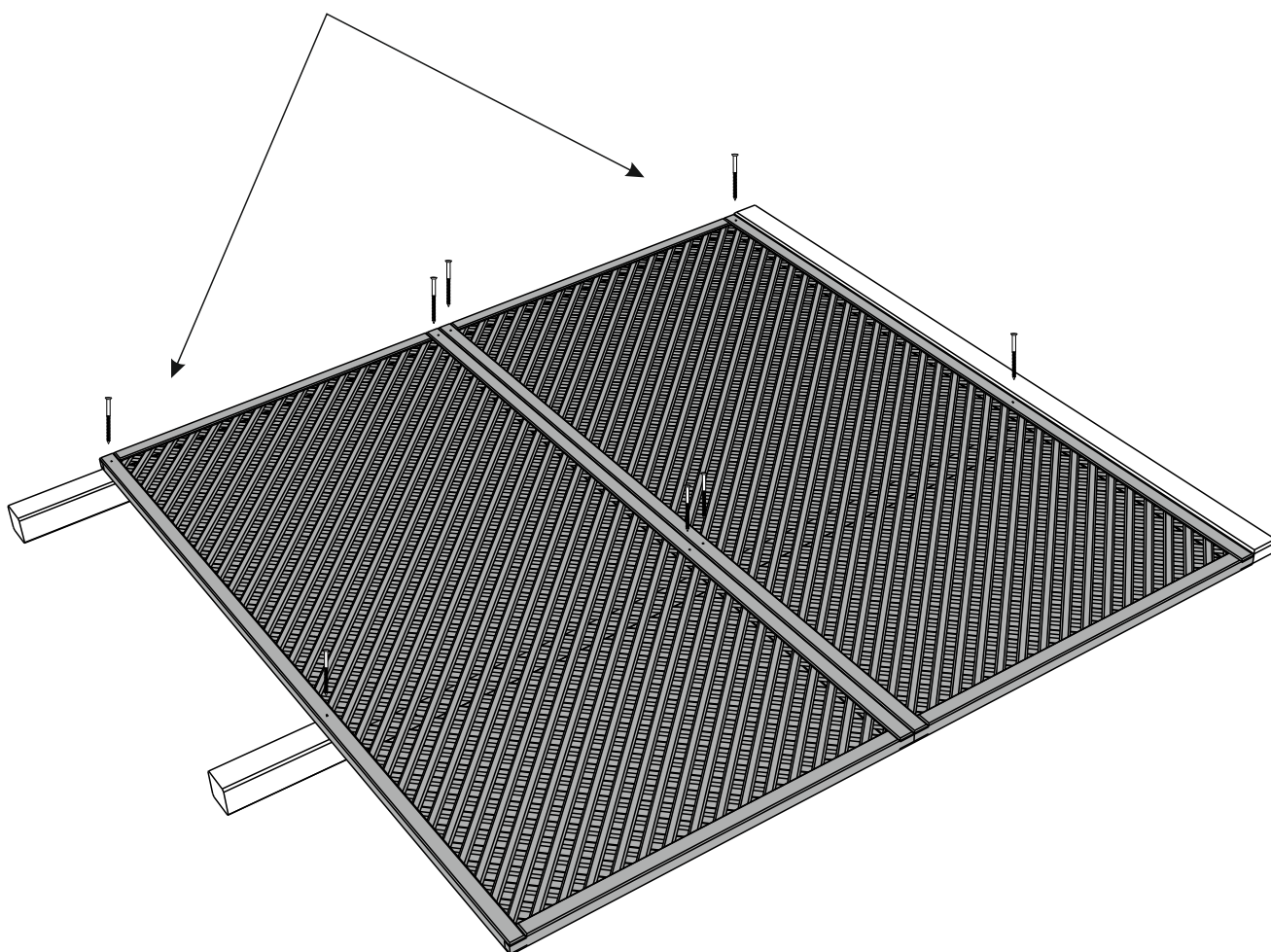


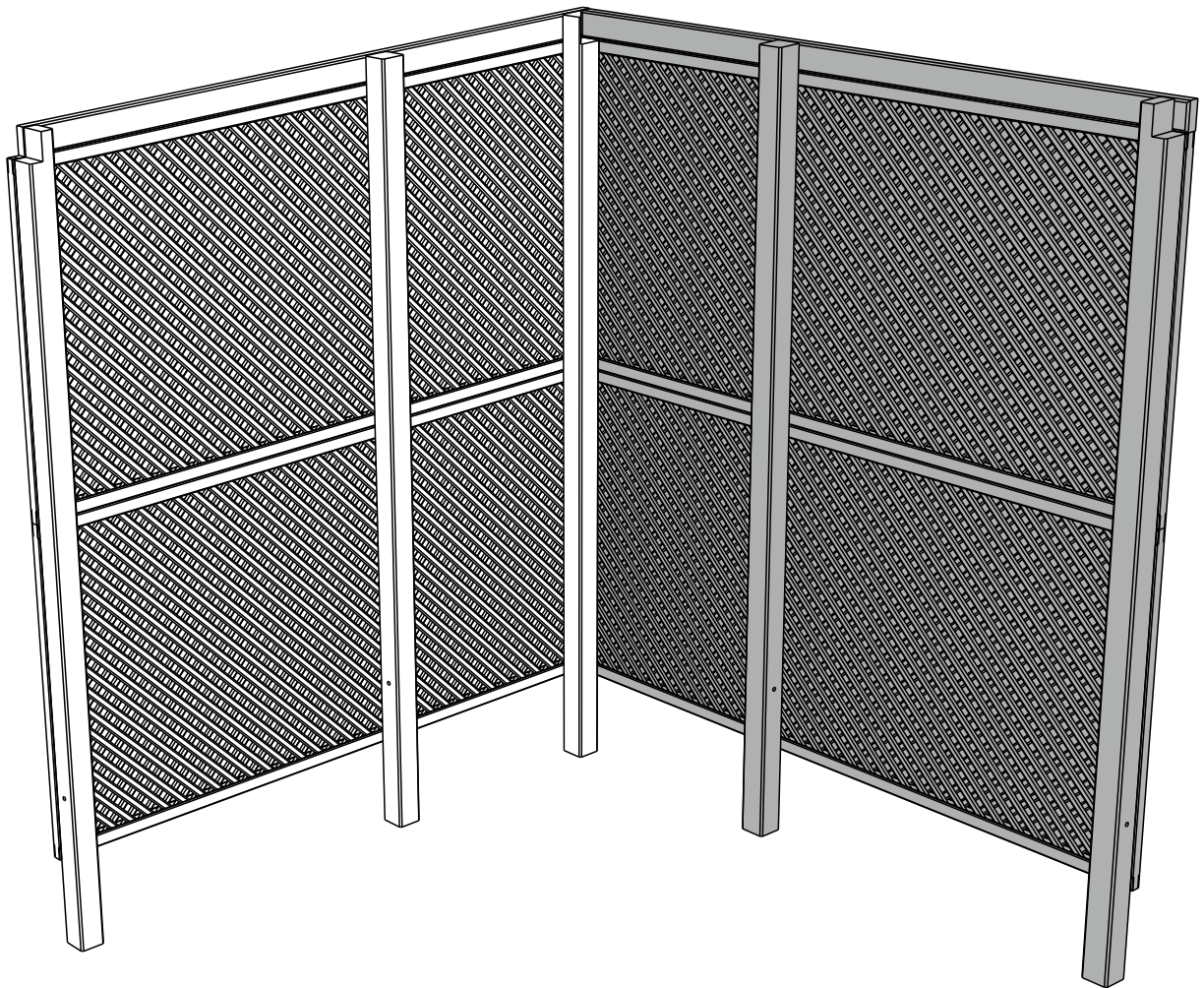
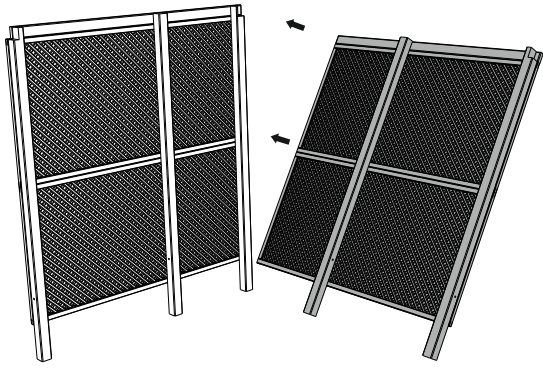


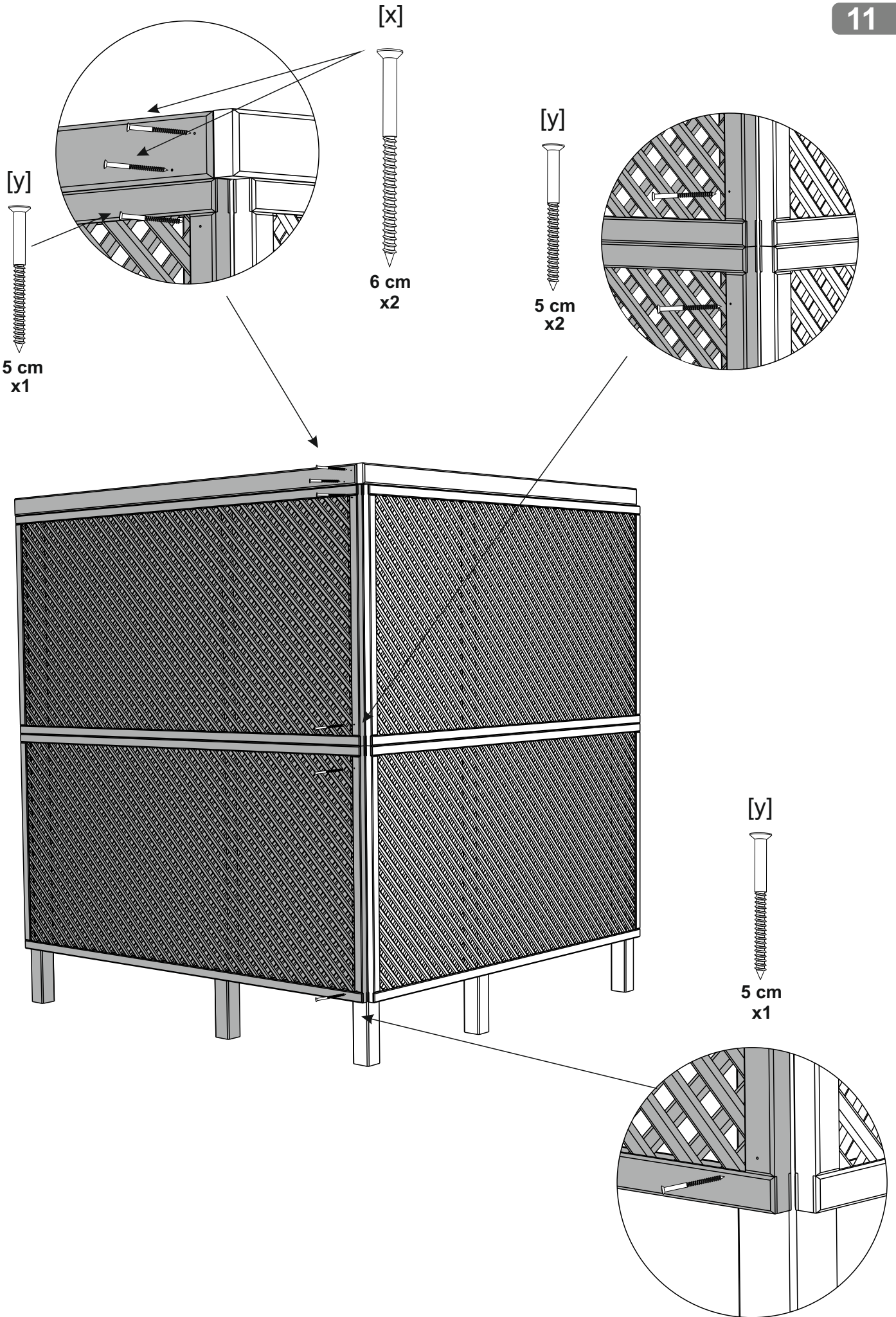
[y]

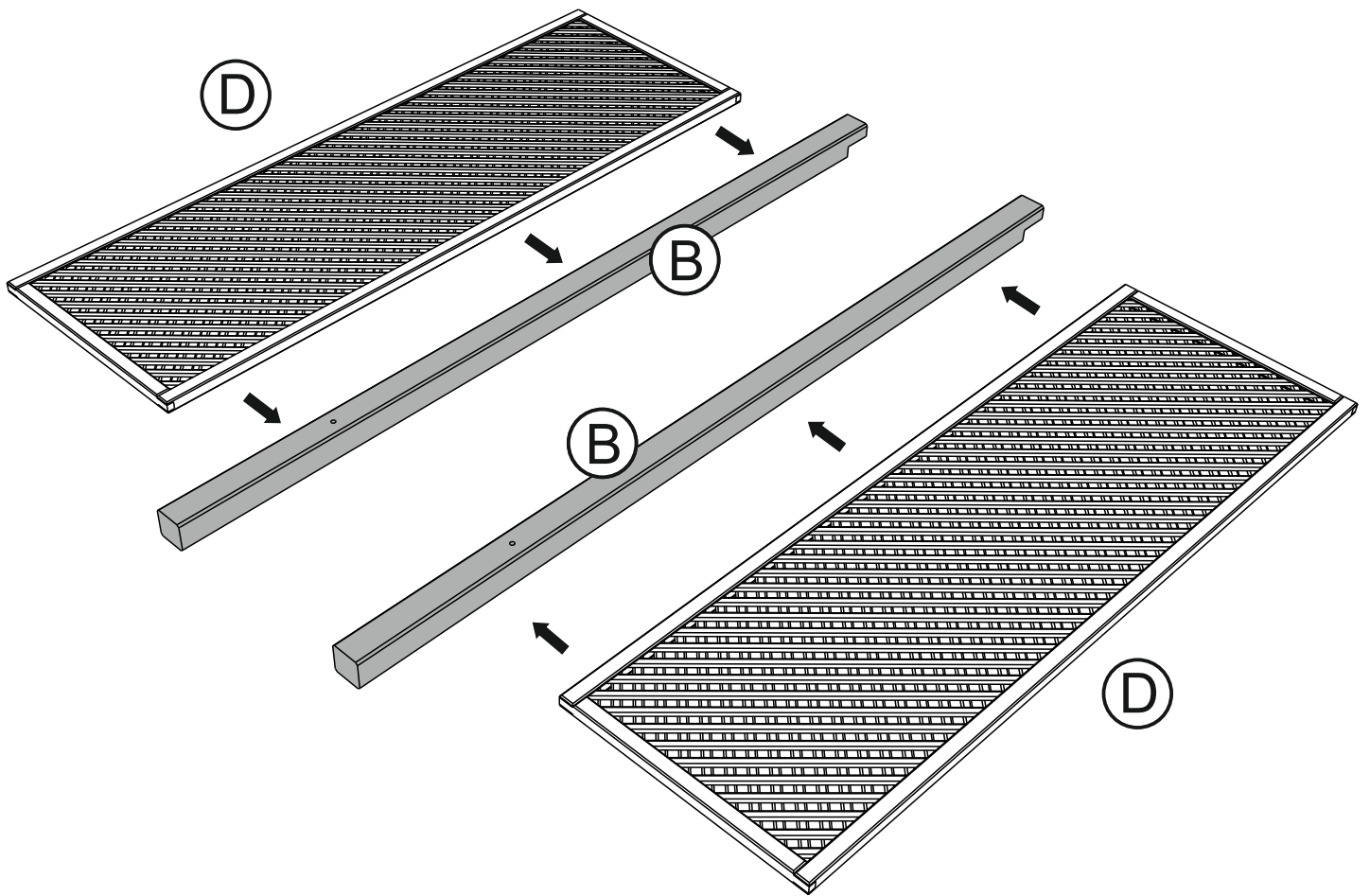


5 cm
x8

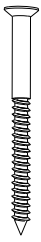




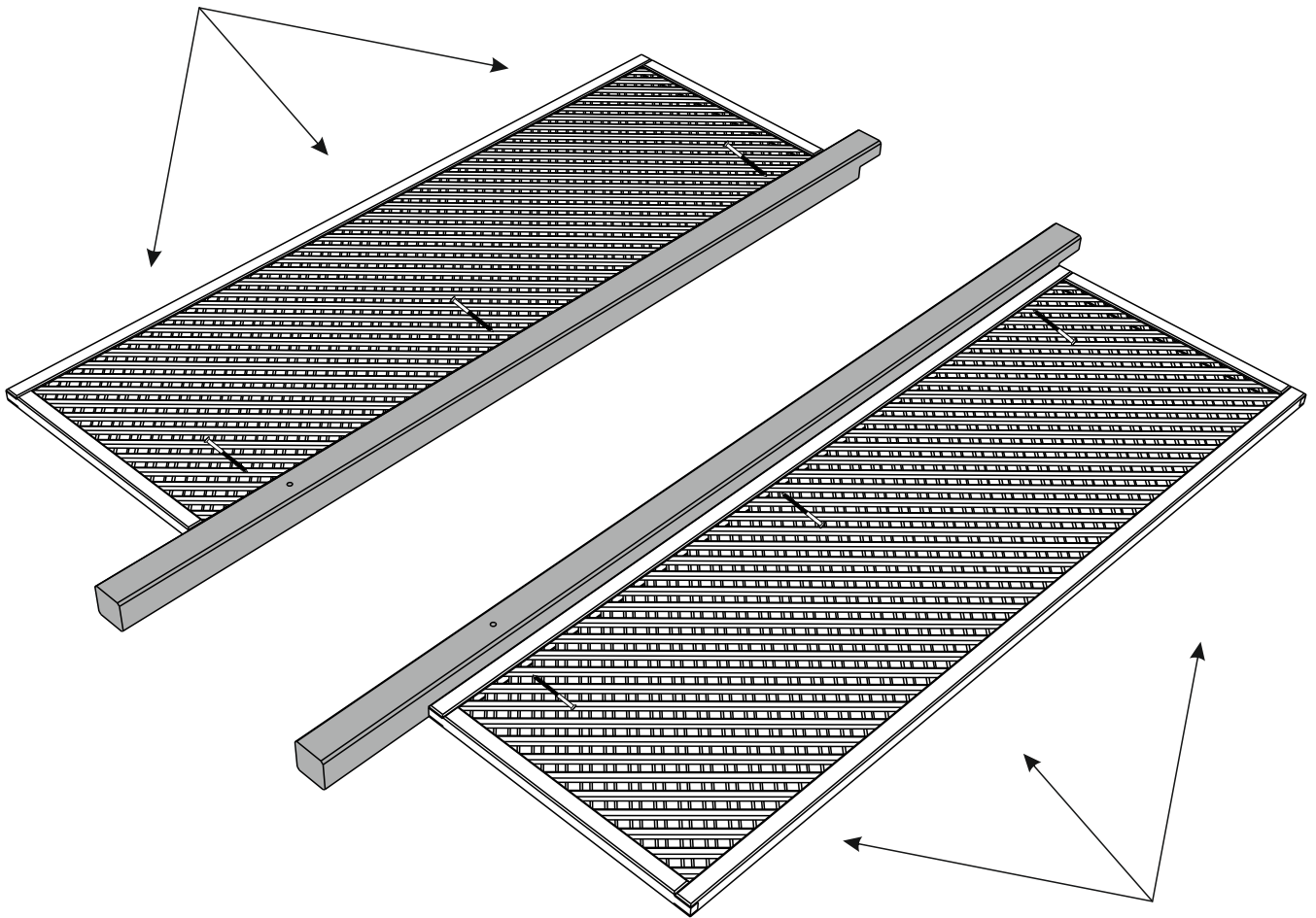




[y]



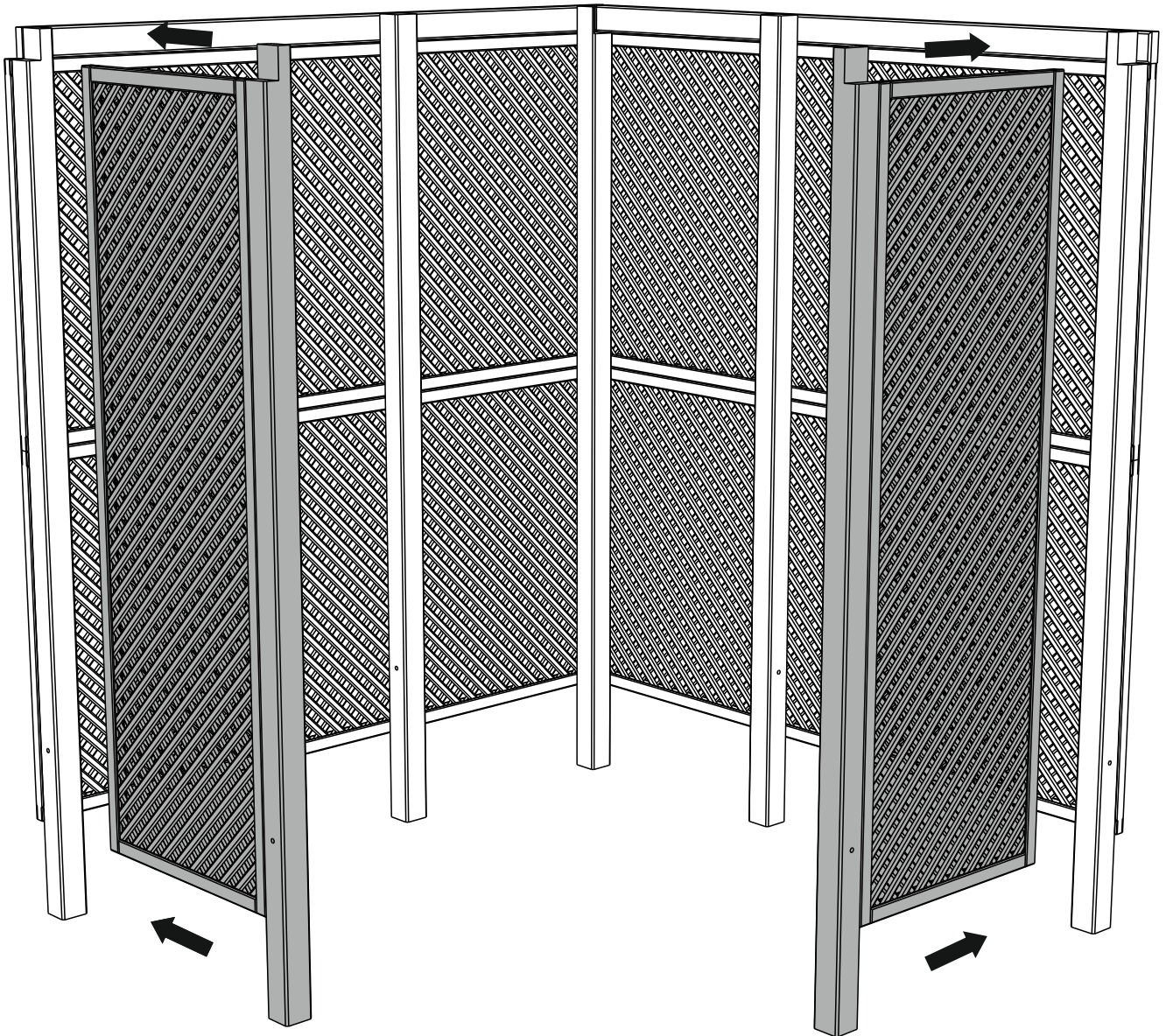
5 cm
x3



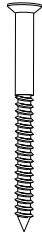
[y]



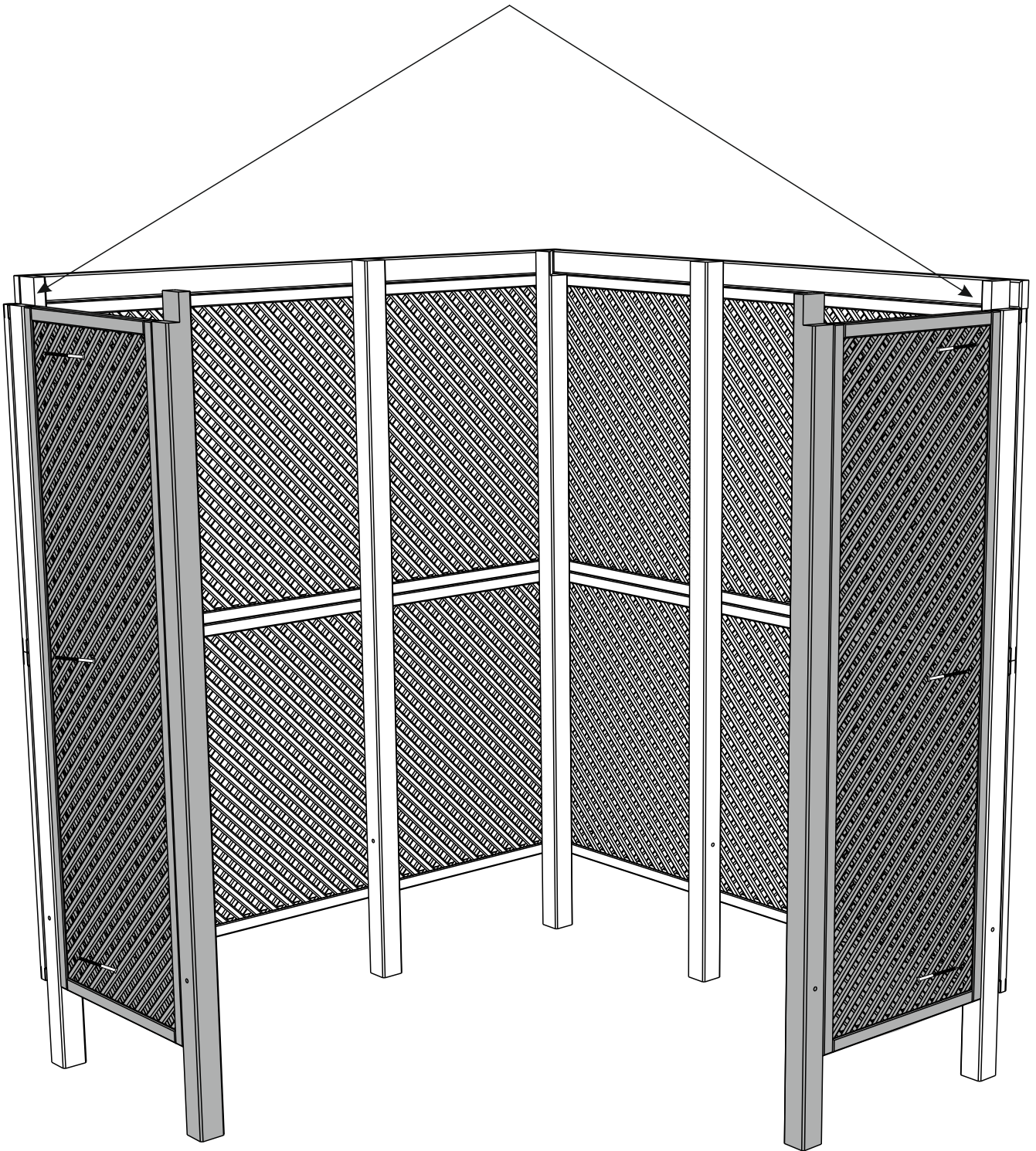
5 cm
x3

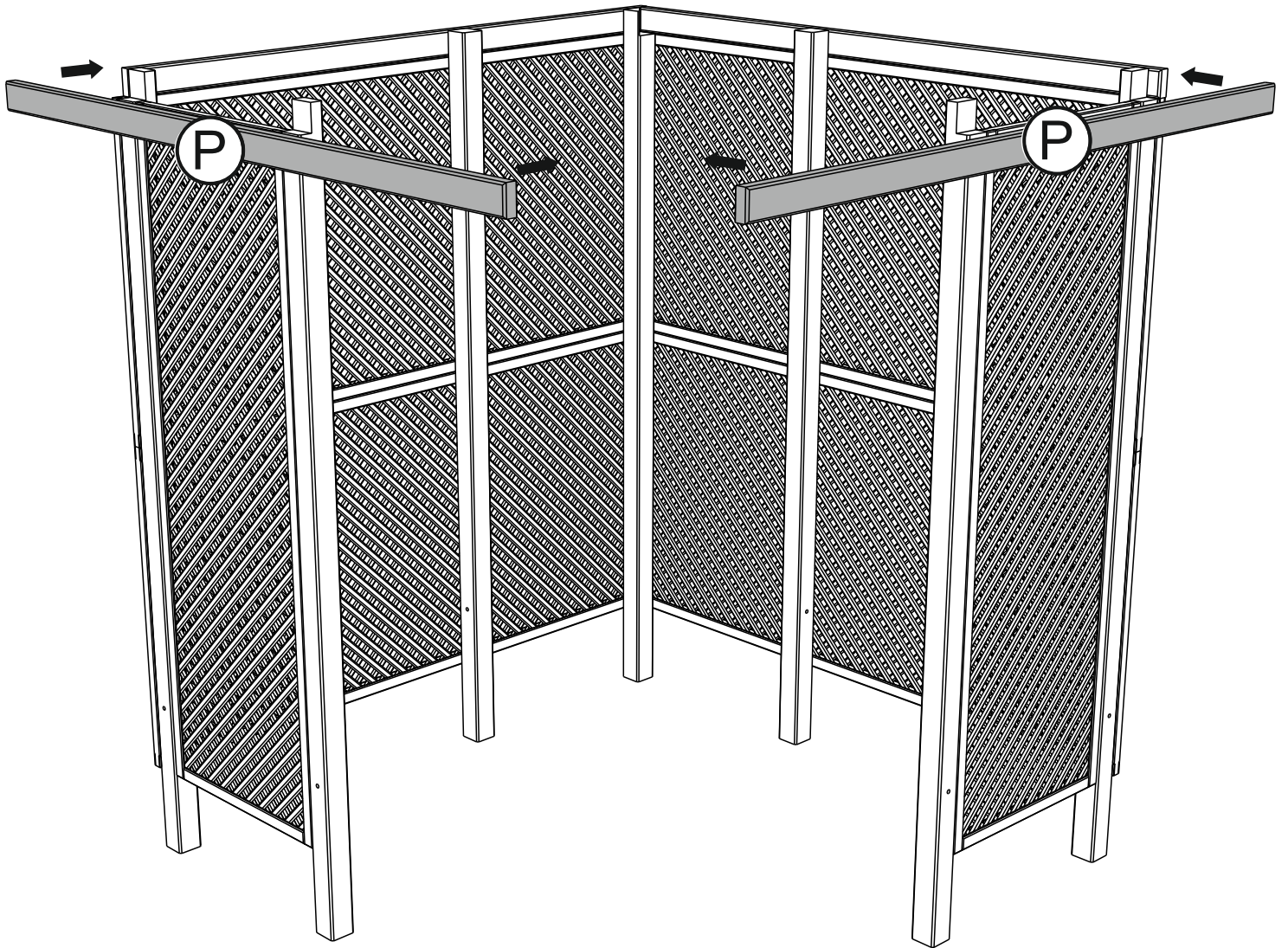


[y]



5 cm
x6

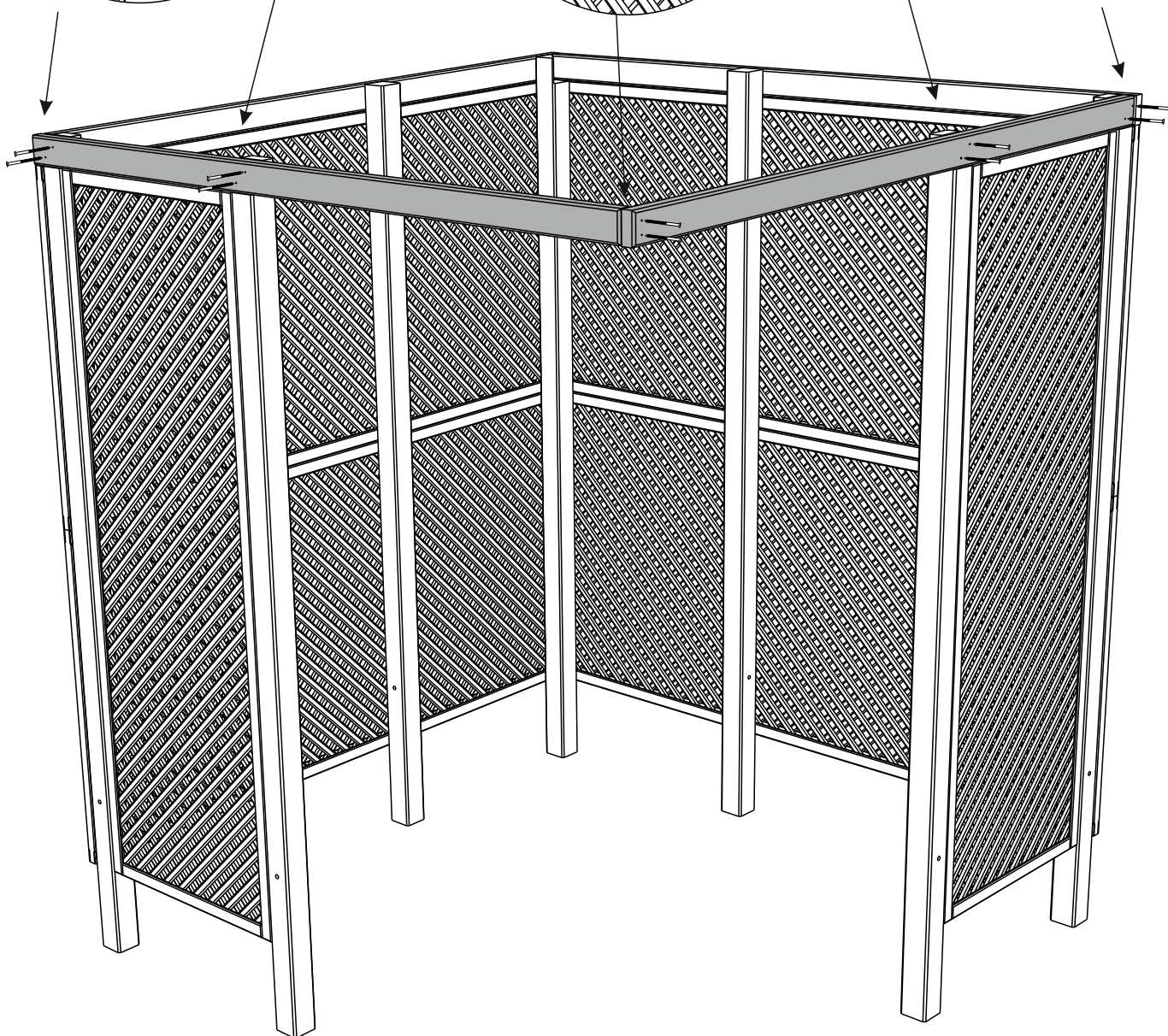
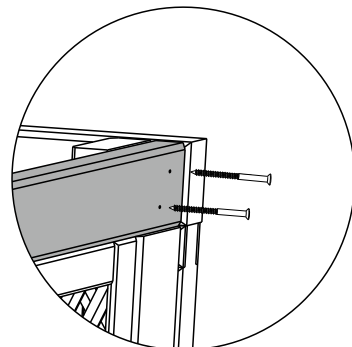
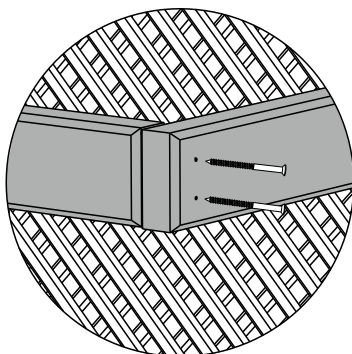
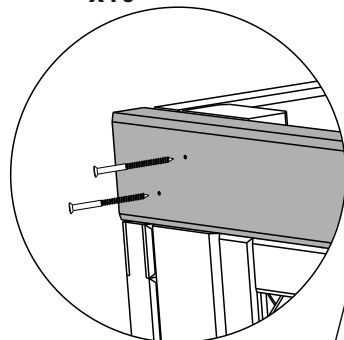
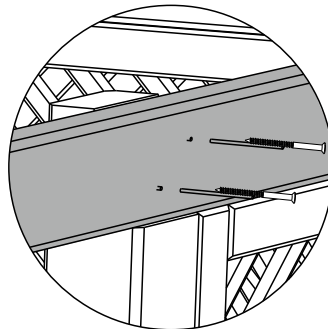
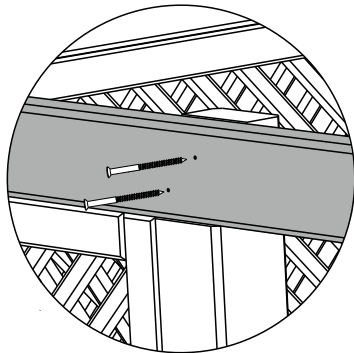


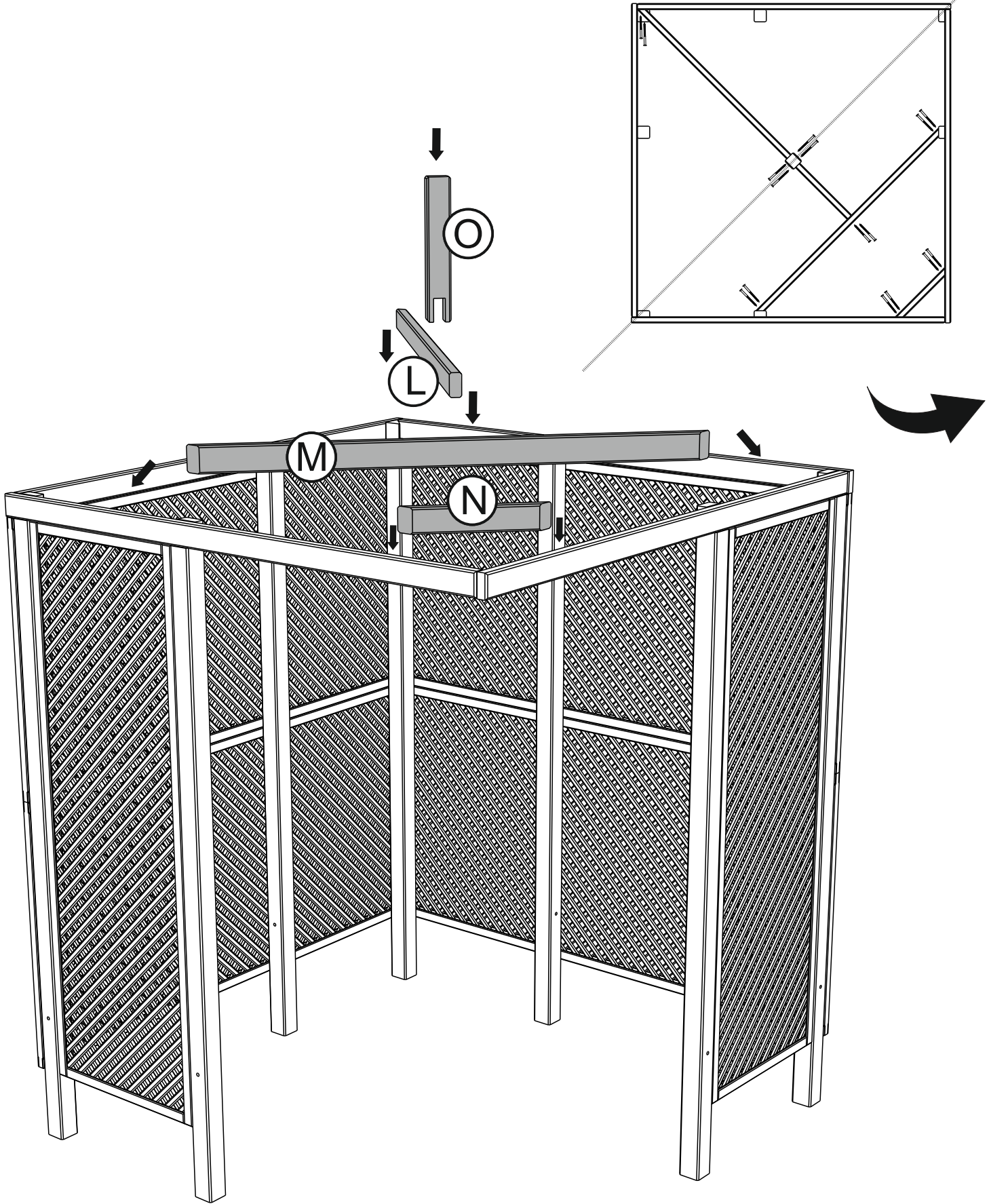


[X]



6 cm
x10

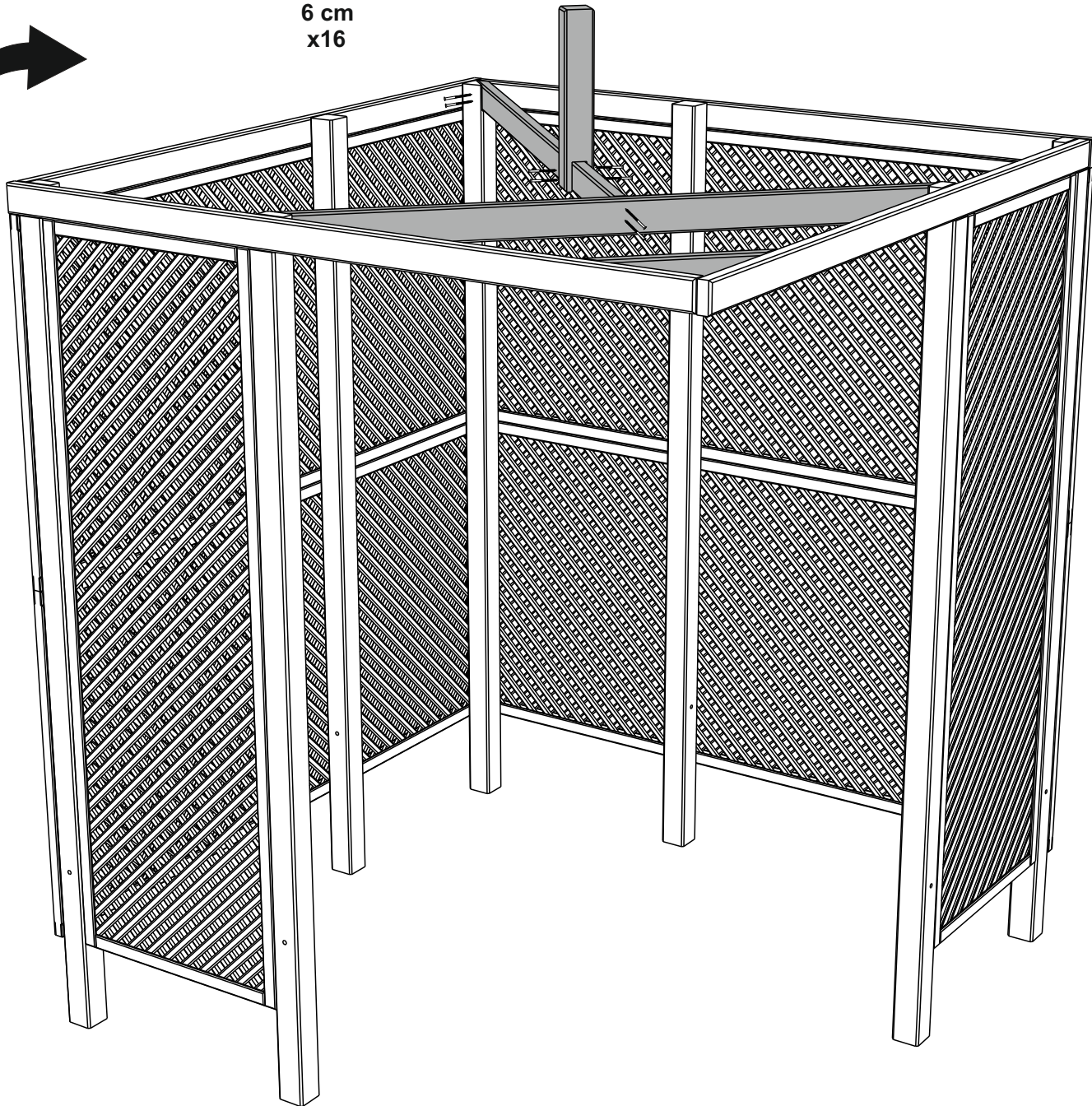
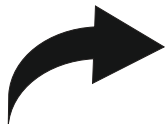


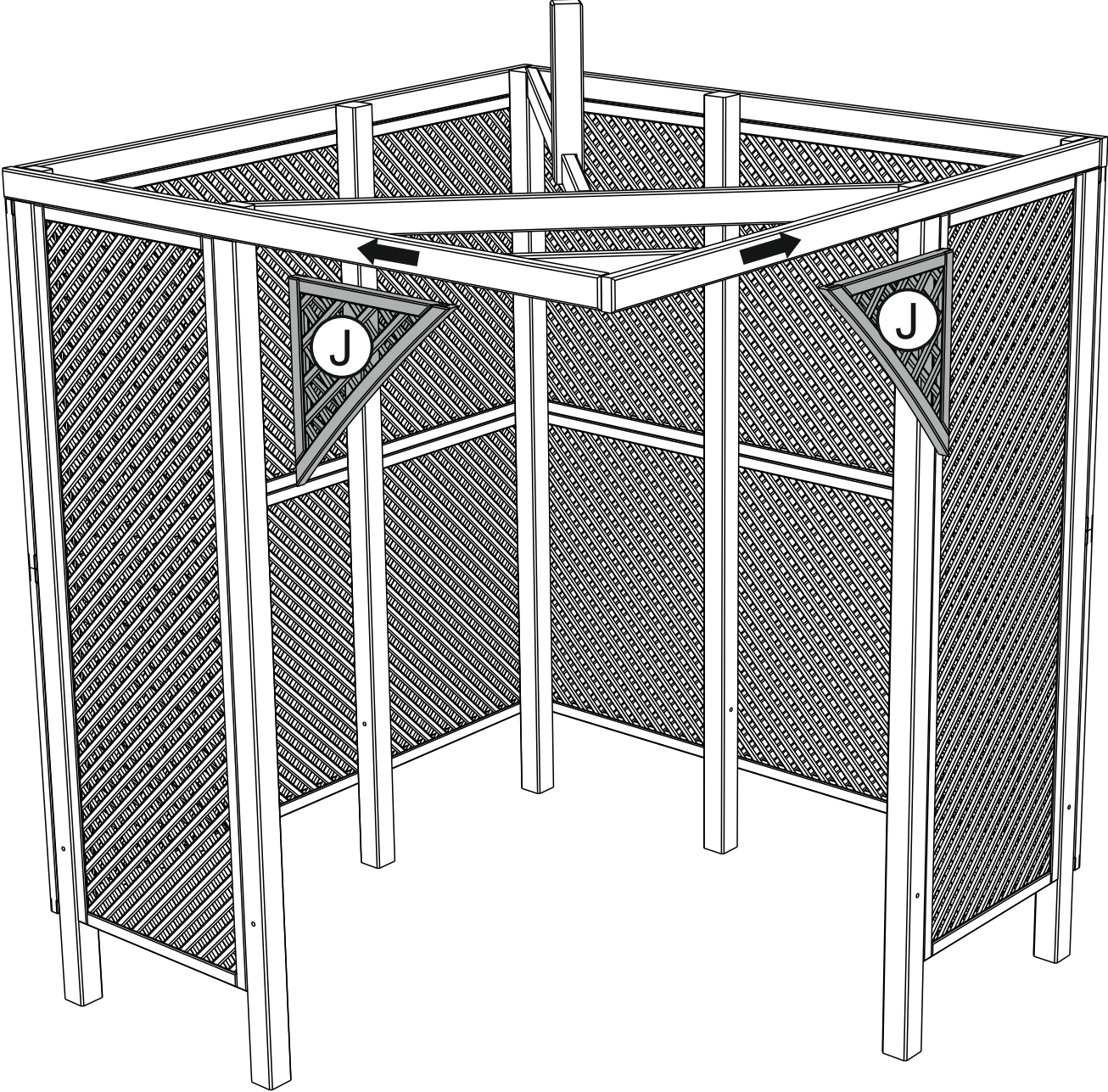


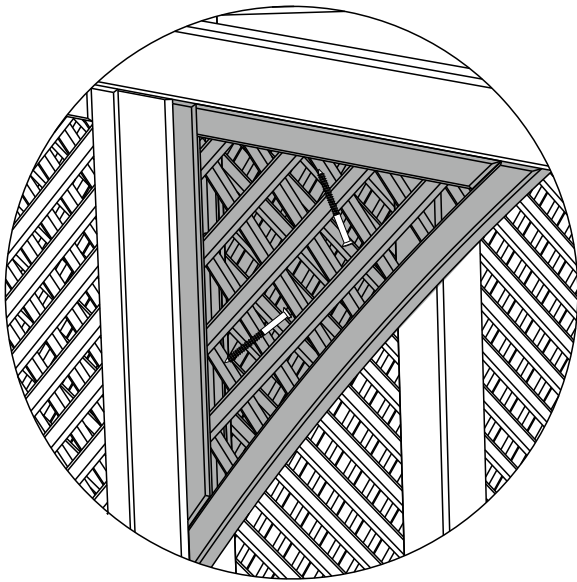
[x]



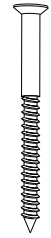
6 cm
x16



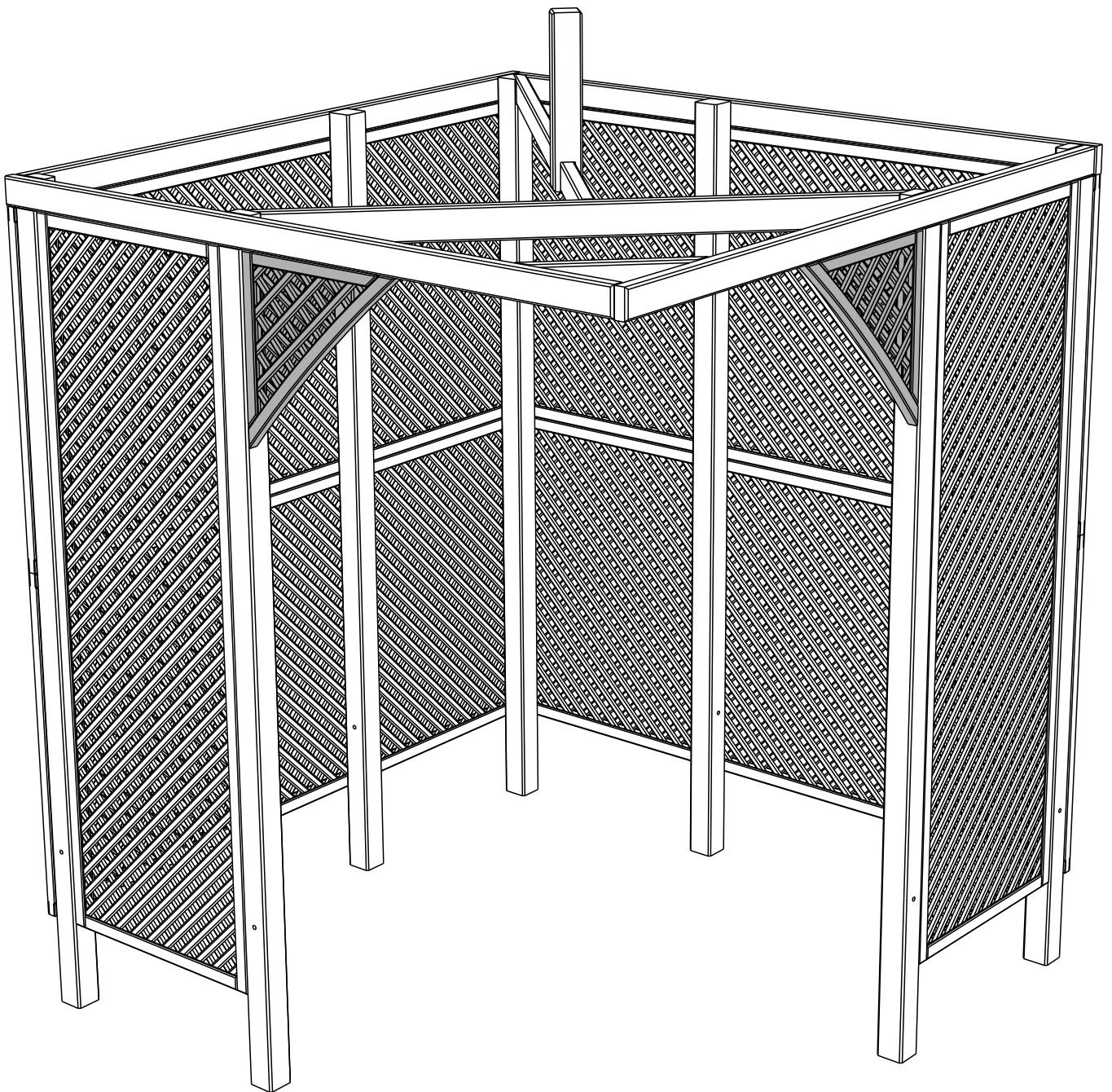
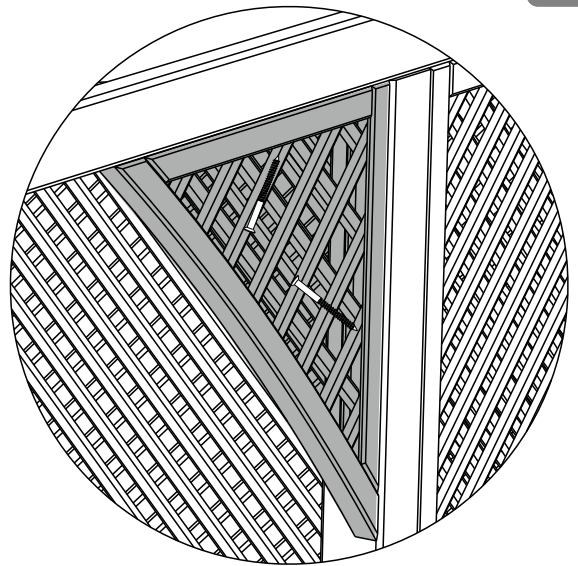


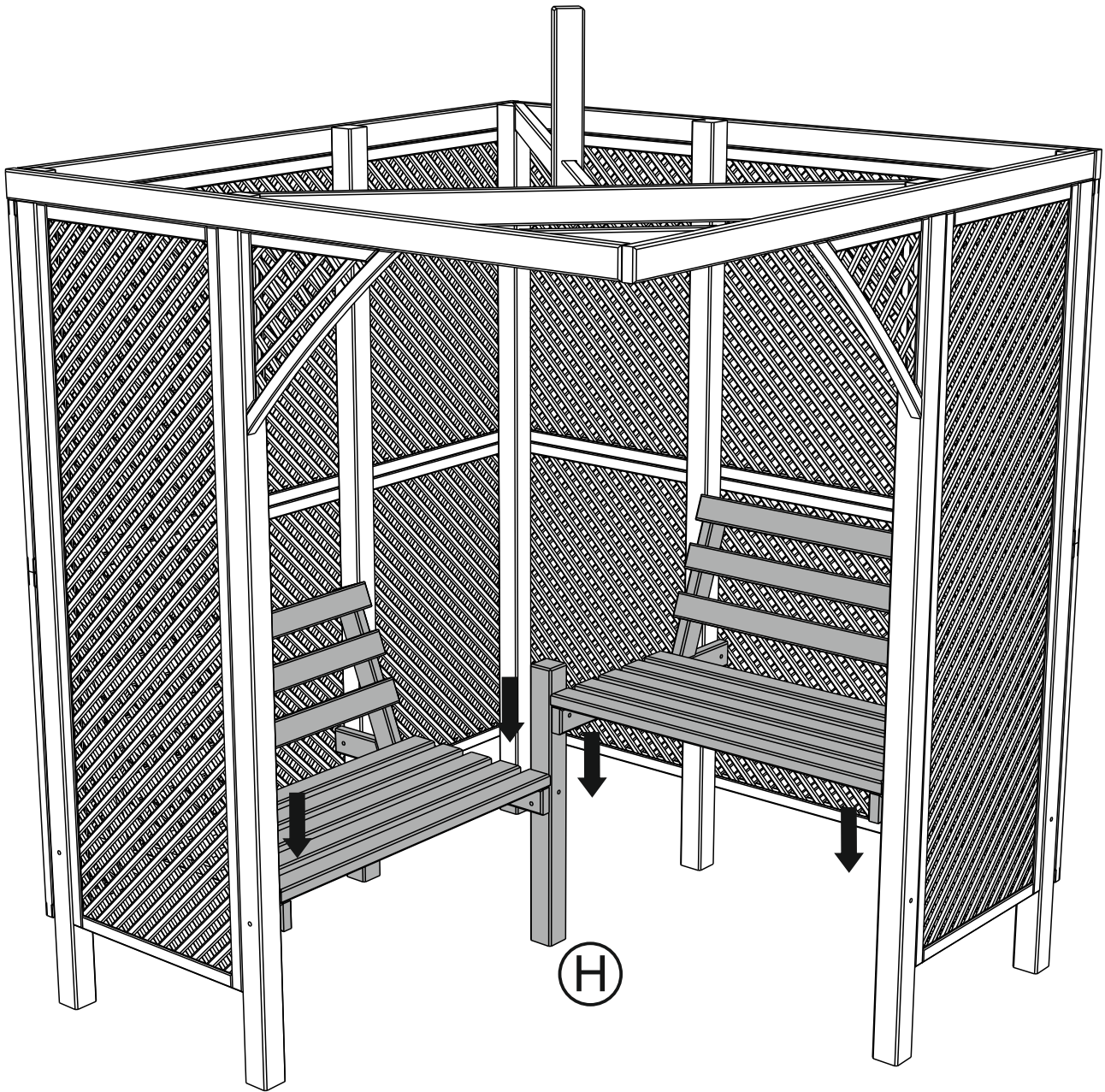
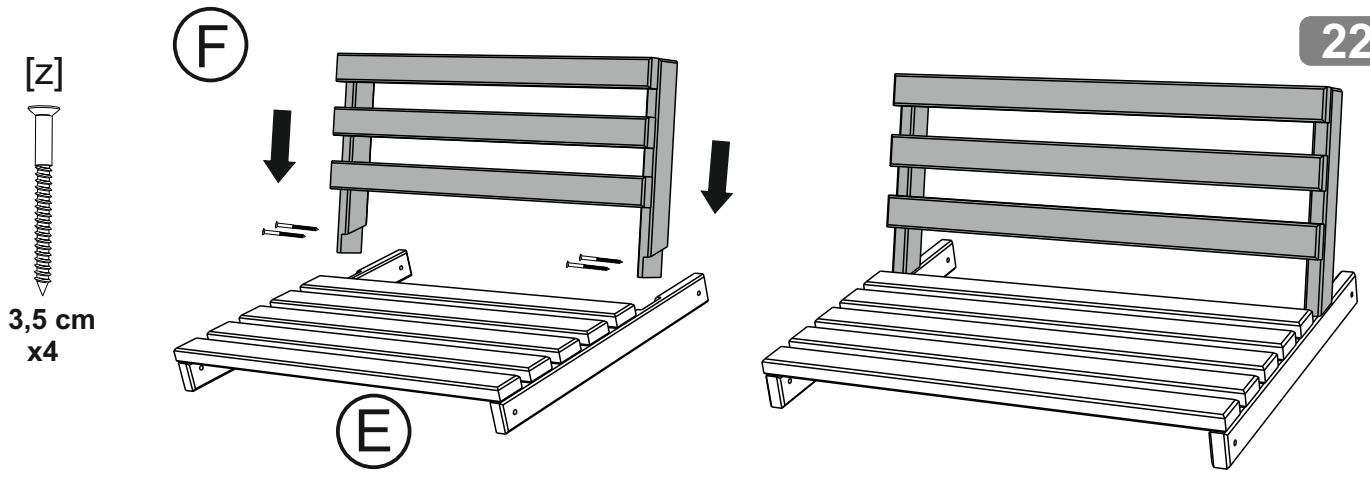


[y]



5 cm
x4

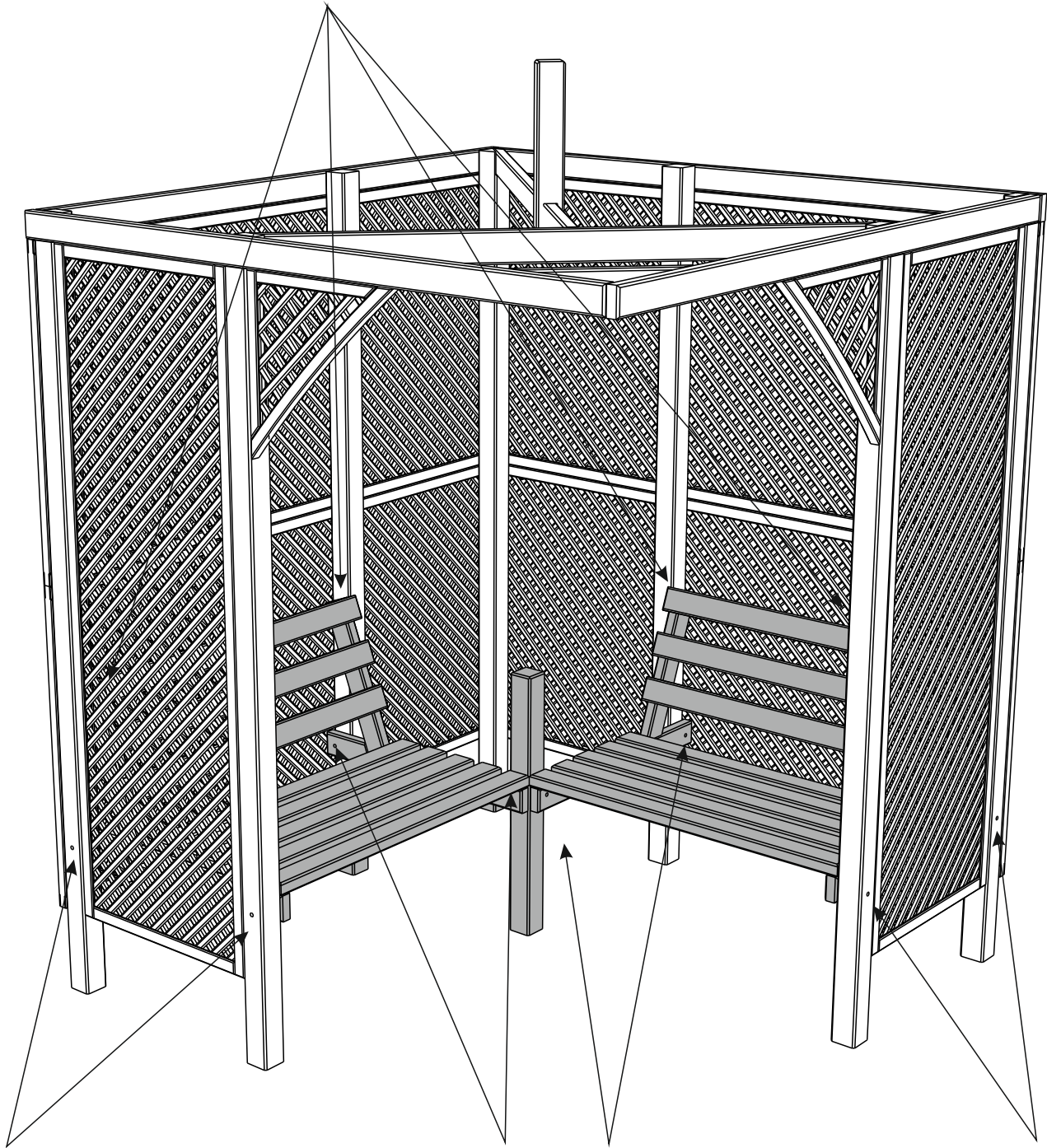




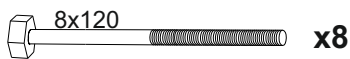
[x]



6 cm
x4



[u]



8x120

x8

[v]

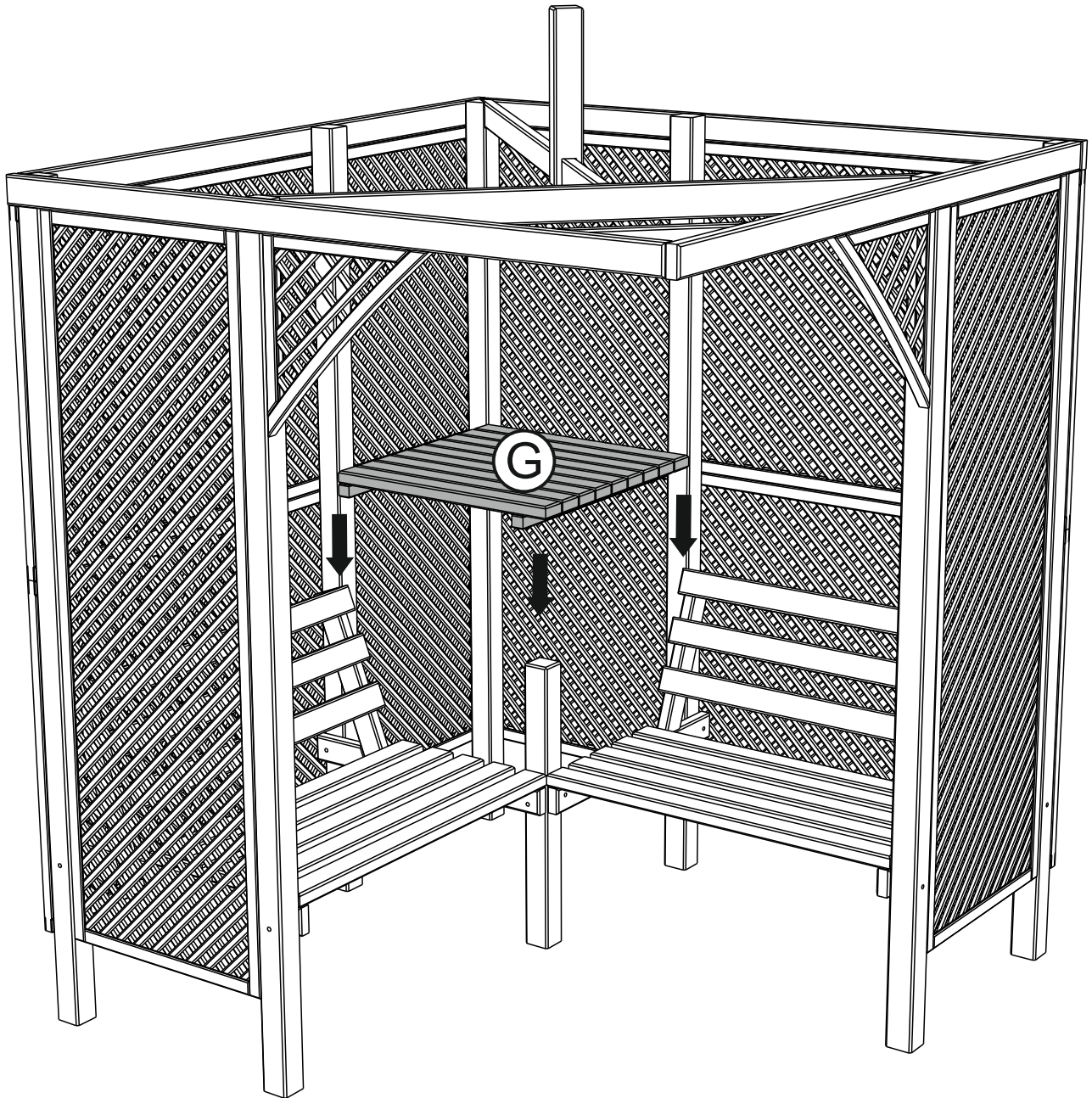


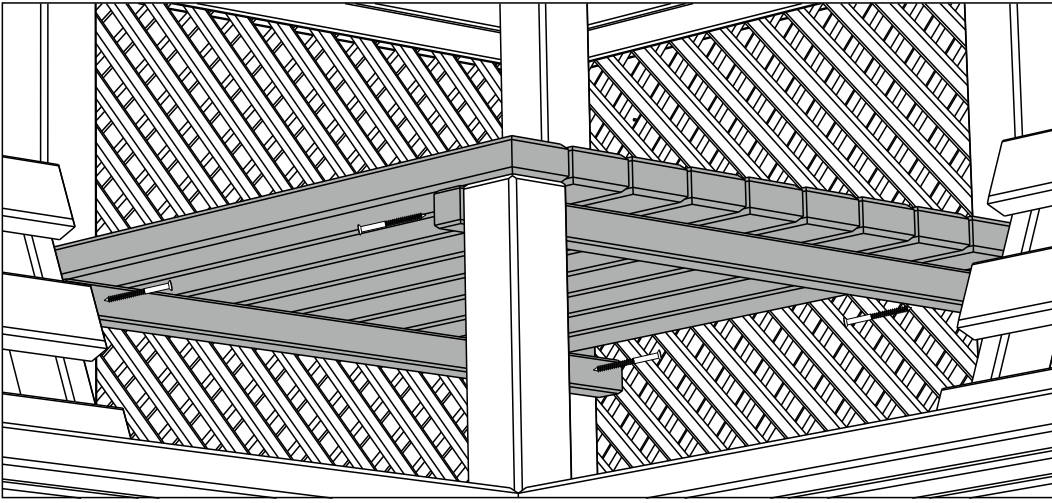
x8

[w]

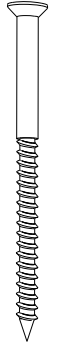


x8

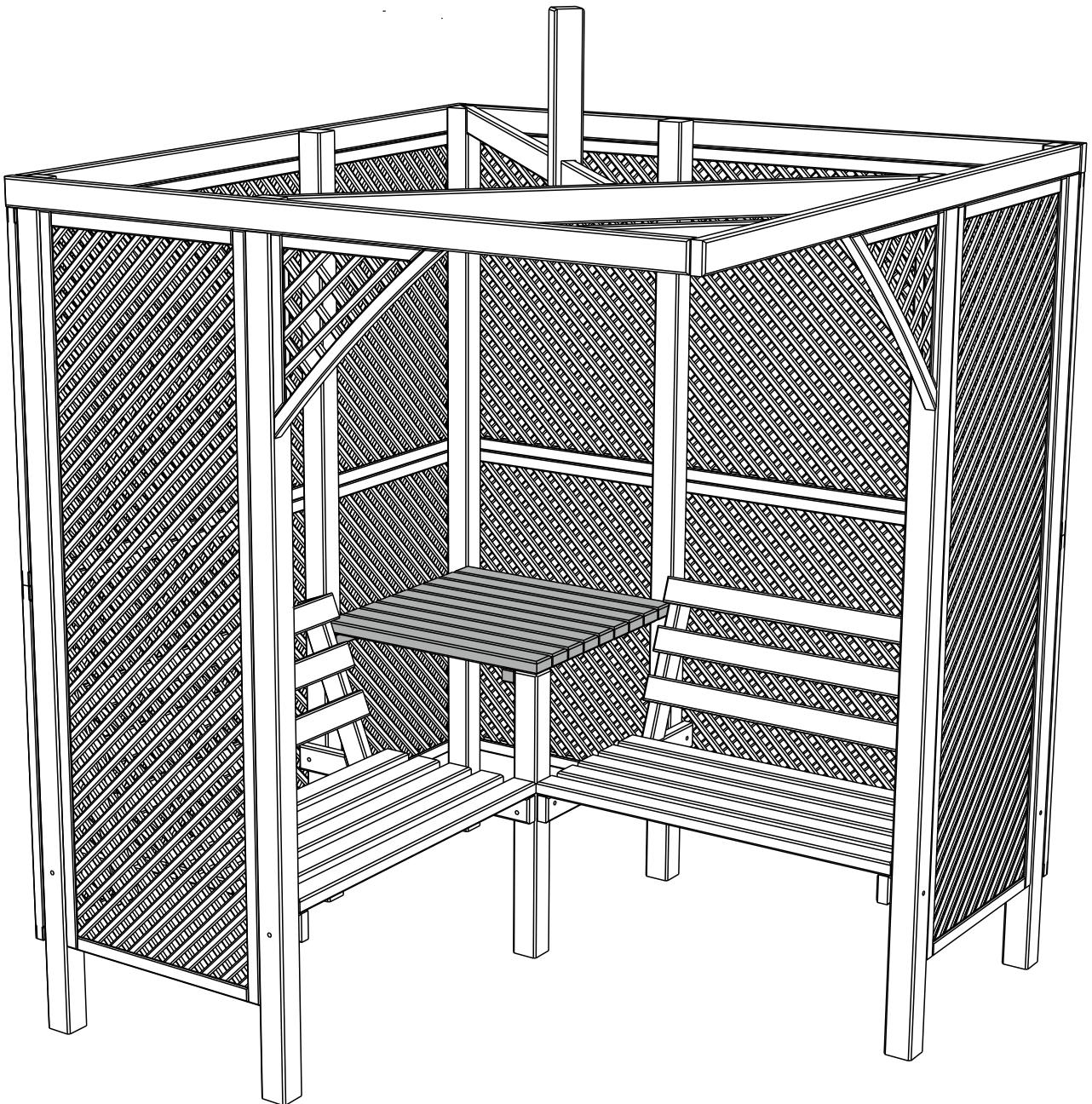


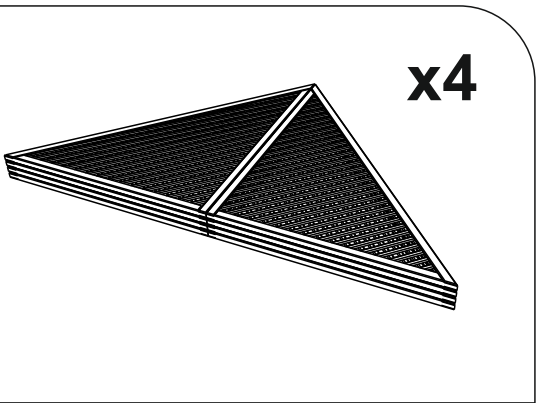
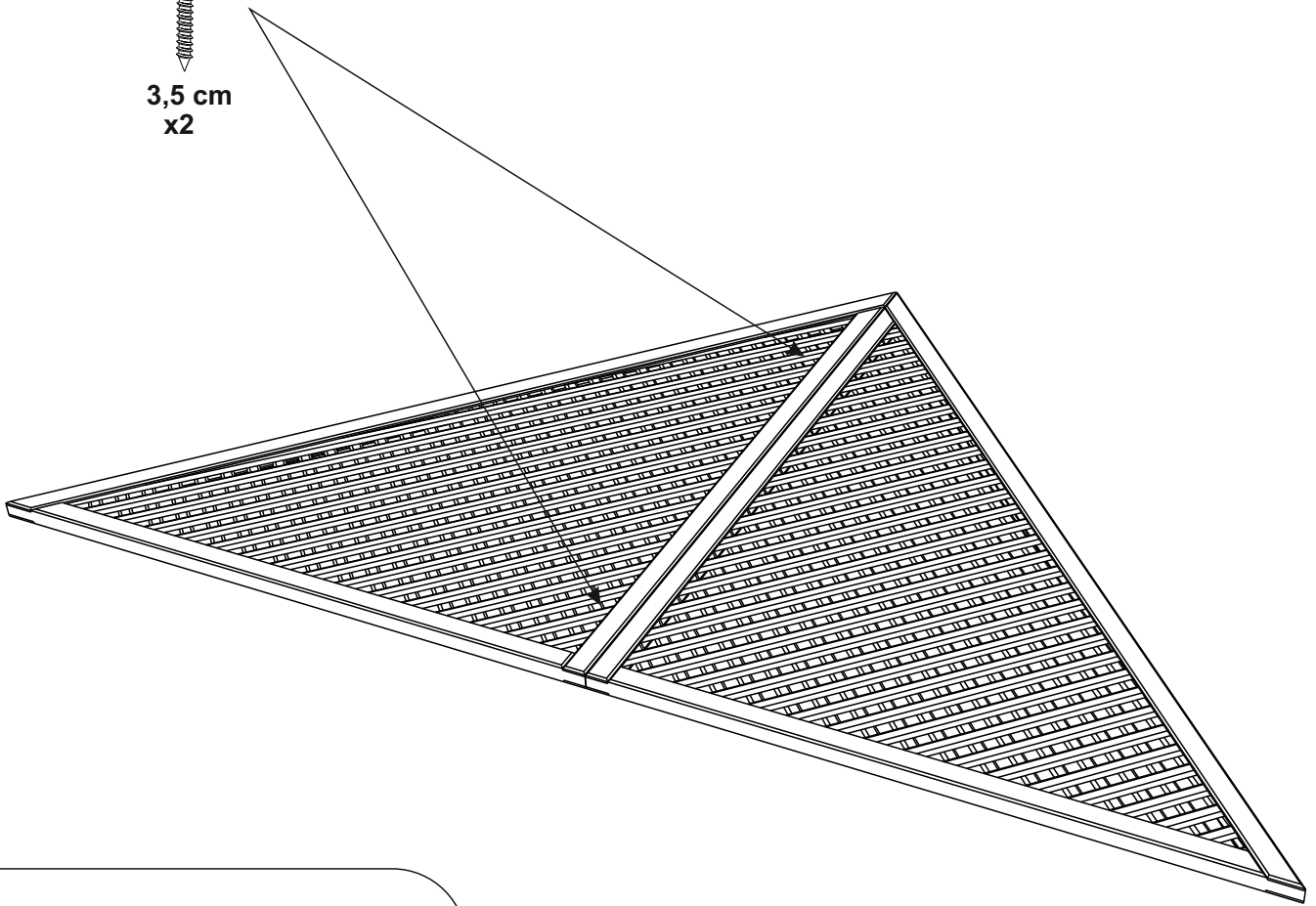
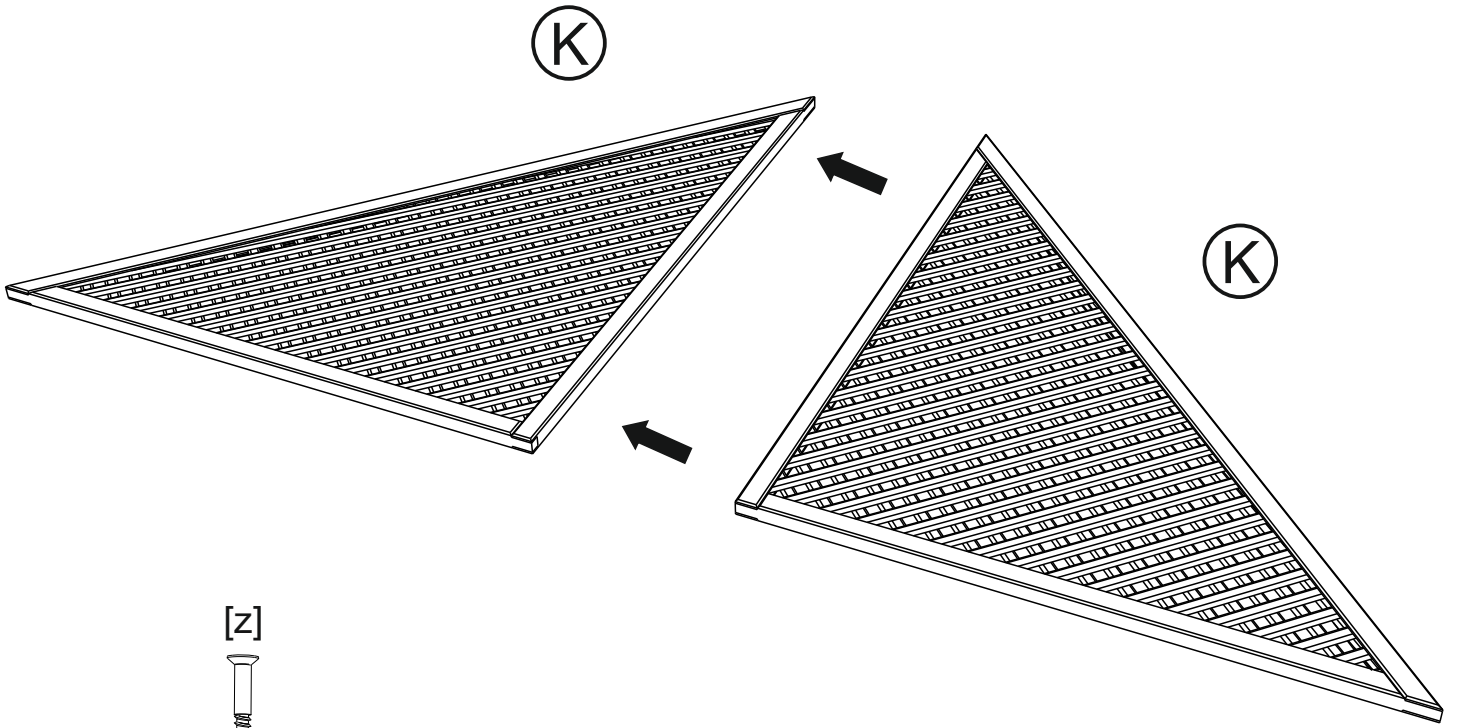


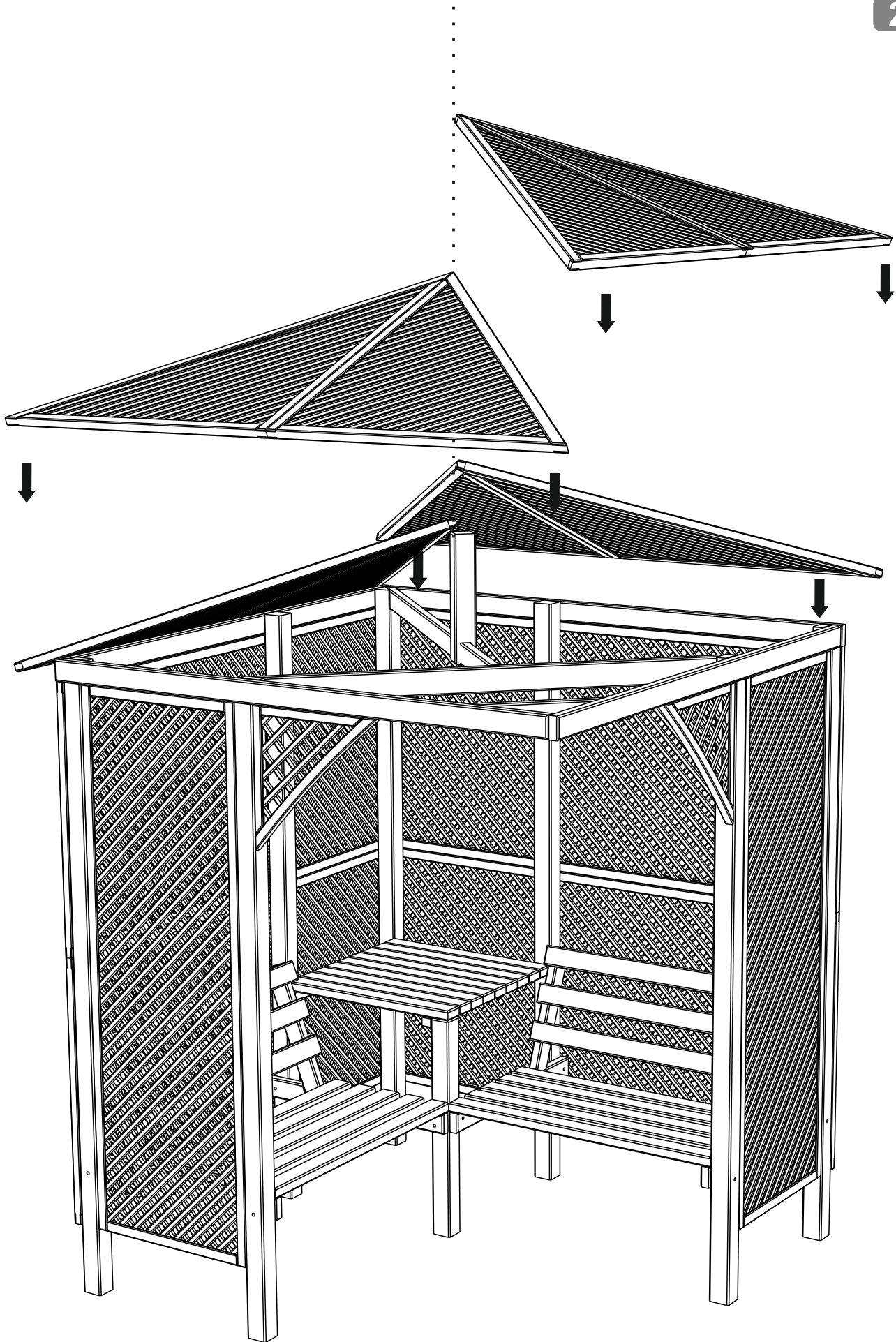
[x]

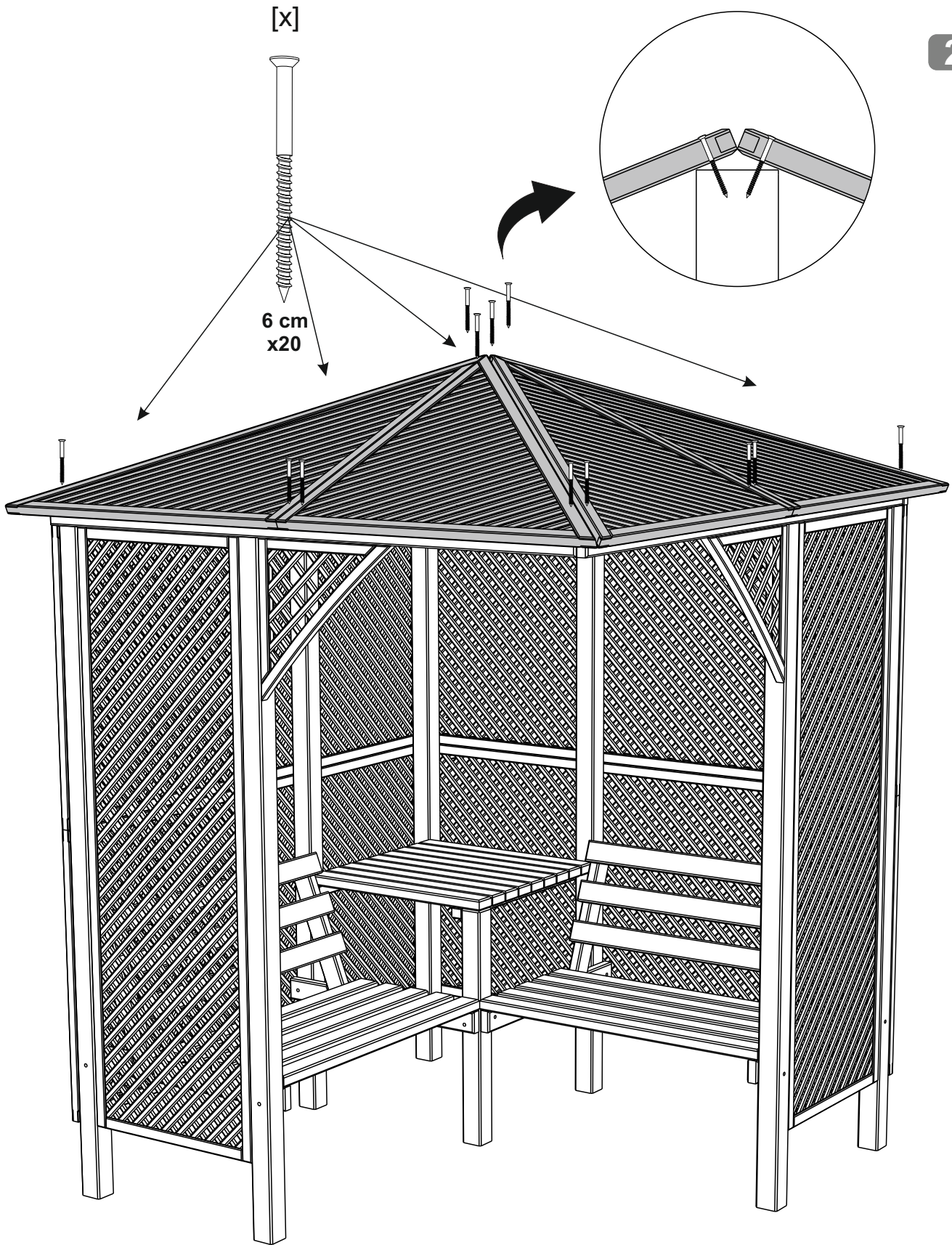


6 cm
x4









AFTERCARE

To ensure longevity of your structure it is recommended that it is treated with a wood preservative on a yearly basis.

Your item is ready!