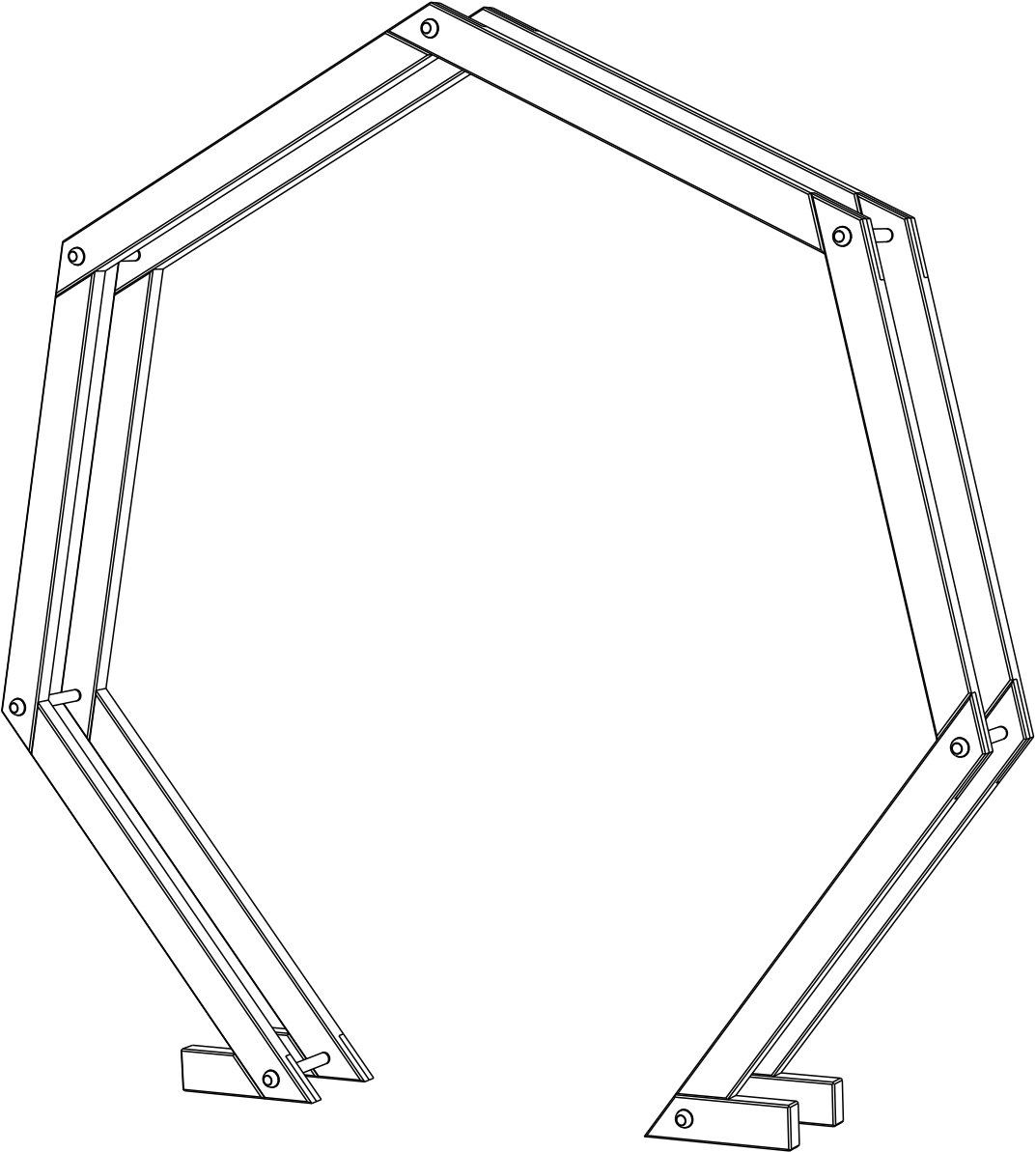


# HEXAGONAL MOON GATE

HEXMG 239cm [H] x 223cm [W] x 27cm [D]  
221901A002MMBZ04H1



## **BEFORE YOU START**

Check the pack/s and make sure that you have all of the parts listed below.

If not, contact your retailer who will be able to help you.

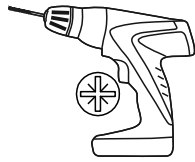
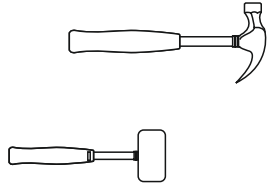
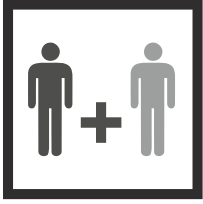
When you are ready to start make sure you have the right tools to hand, plenty of space with a clean and dry area for assembly.

It is advisable for two people to carry out the work.

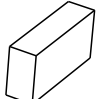
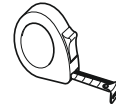
Where the wood is screwed we advise to pre-drill the holes (the diameter of the holes should be 2mm smaller than the diameter of the used screw)

Anchors are not part of the hardware pack,  
depending on the type of ground - select the appropriate type of anchor.  
(e.g. screwed to concrete / poured into concrete.....)

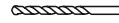
Recommended tools ( not included )



drill or screwdriver

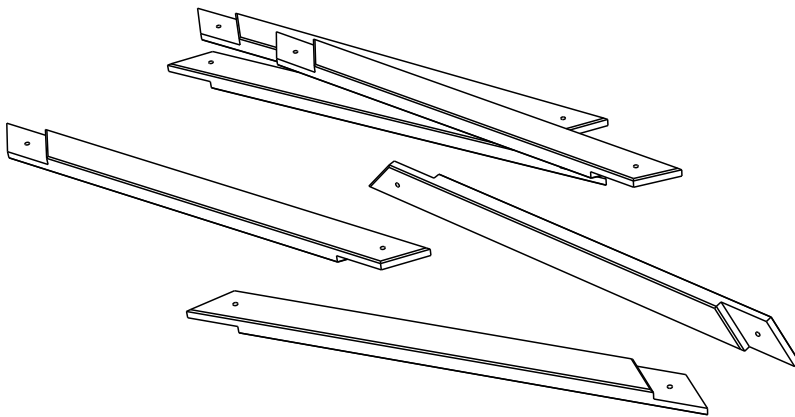


brick



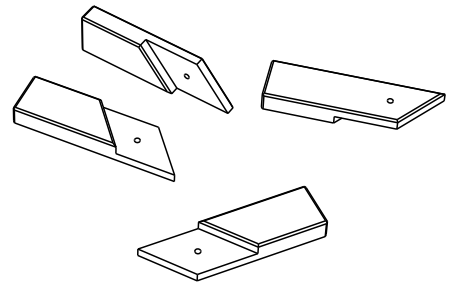
**A**

Beam x12



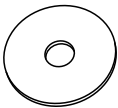
**B**

Foot x4



Hardware pack

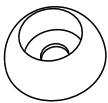
[a] Washer x14



[a2] Washer 20 mm x14



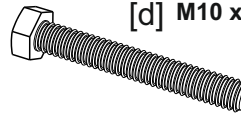
[b] Plastic cup x14



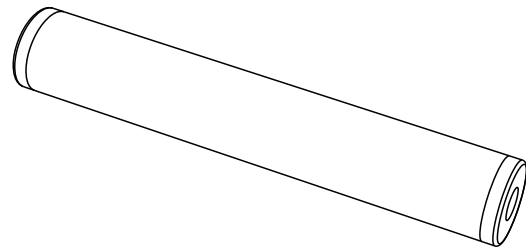
[c] Cap x14



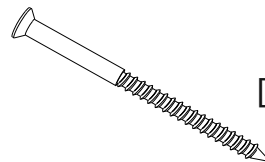
[d] M10 x 70 hex bolt x14



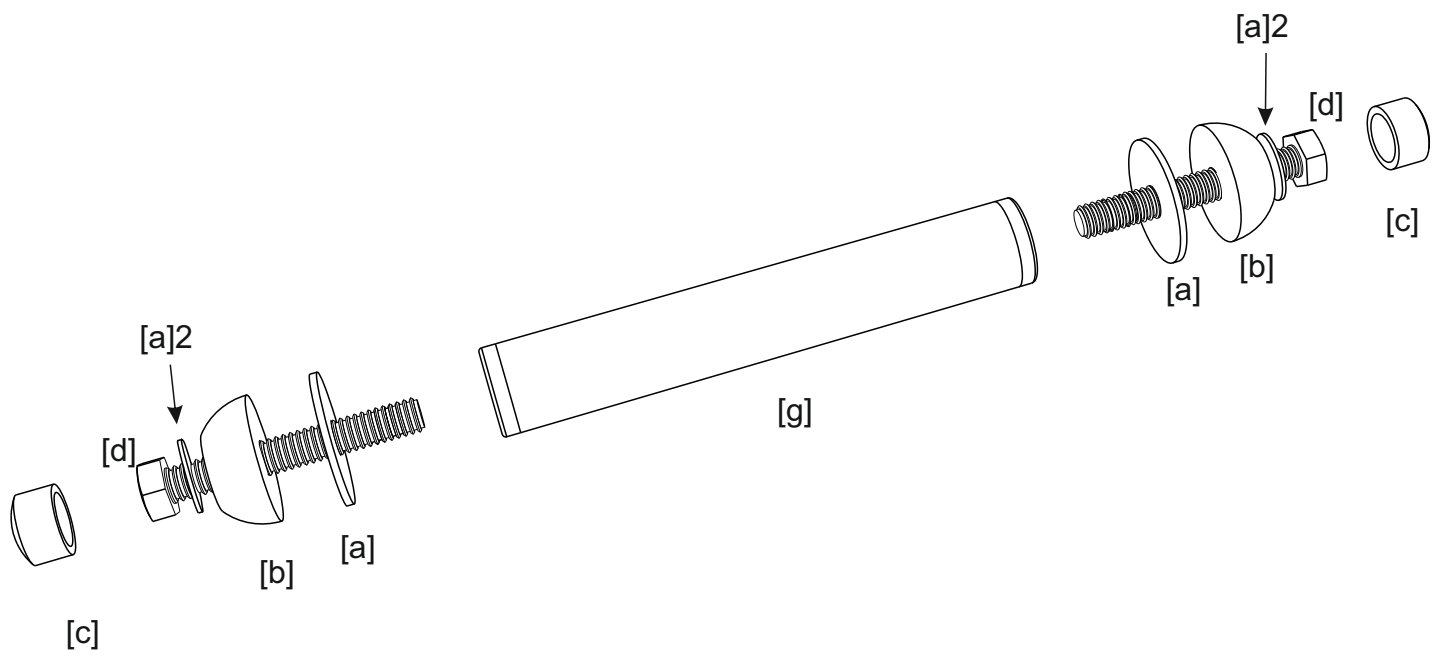
[e] Metal rods x7



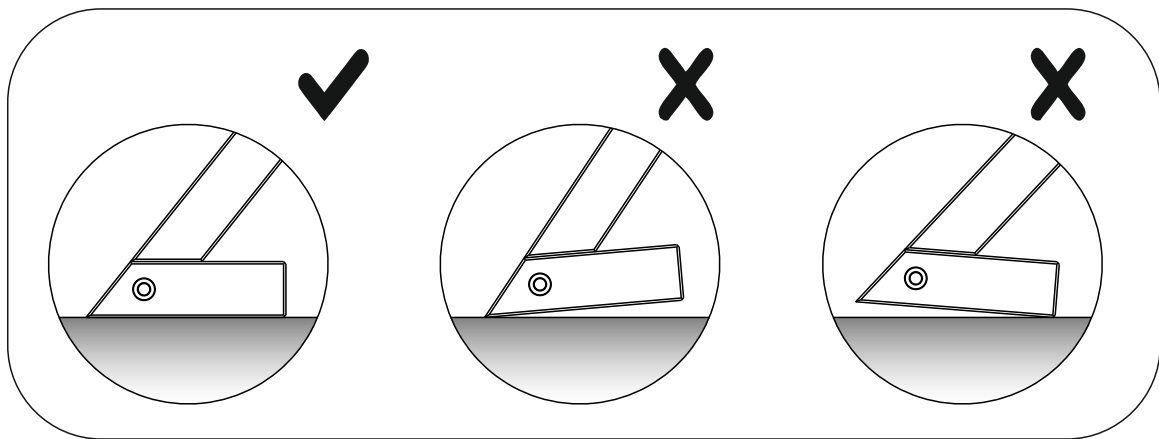
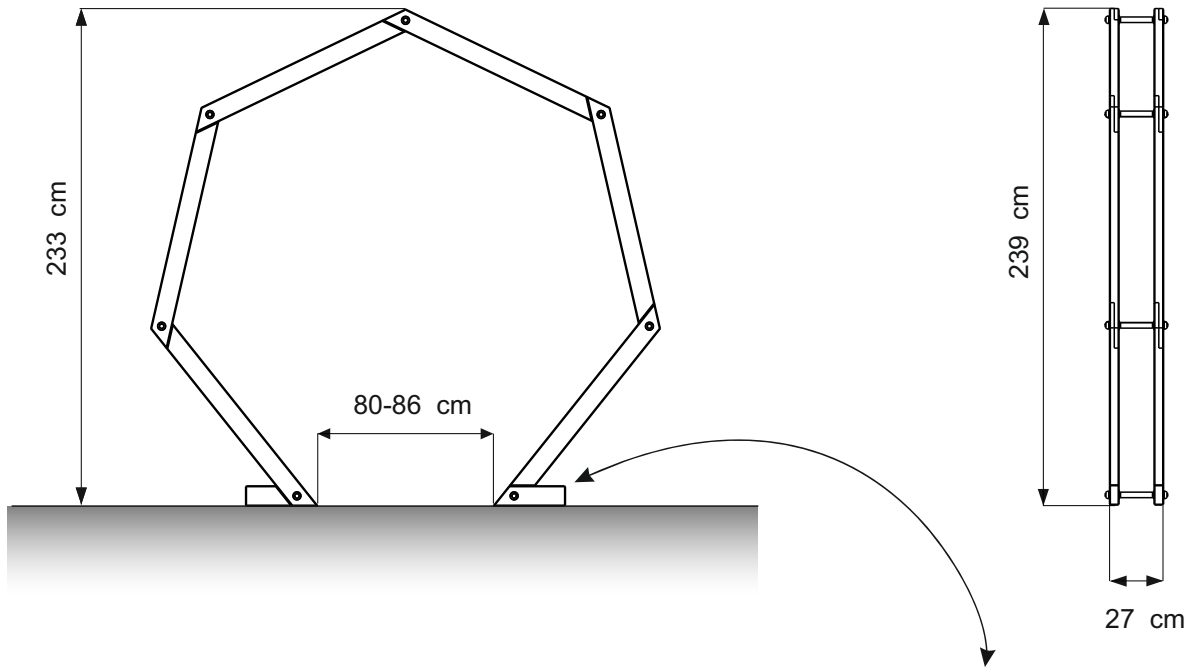
[f] Screw 4.0 cm x56



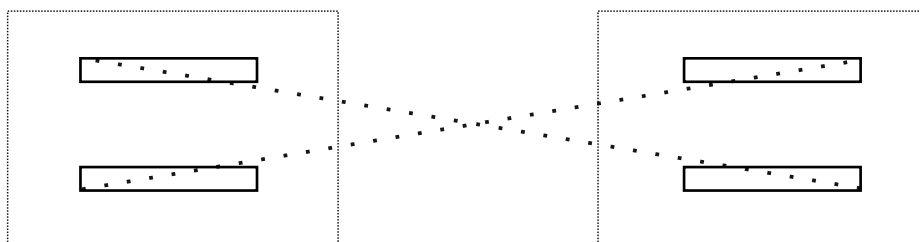
# Rod assembly guide

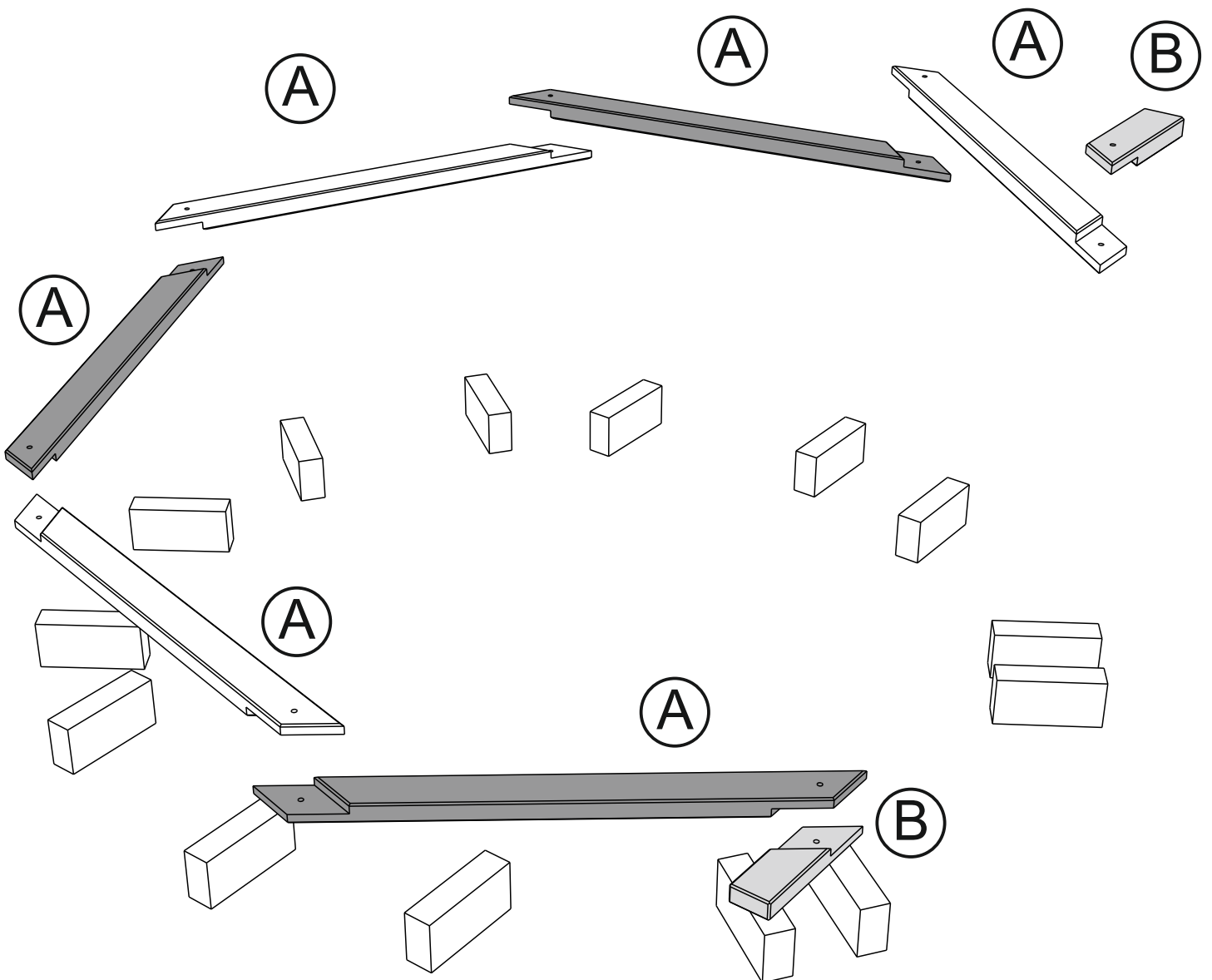
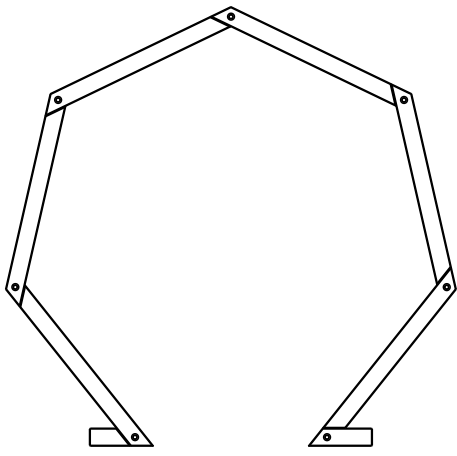


# PLAN

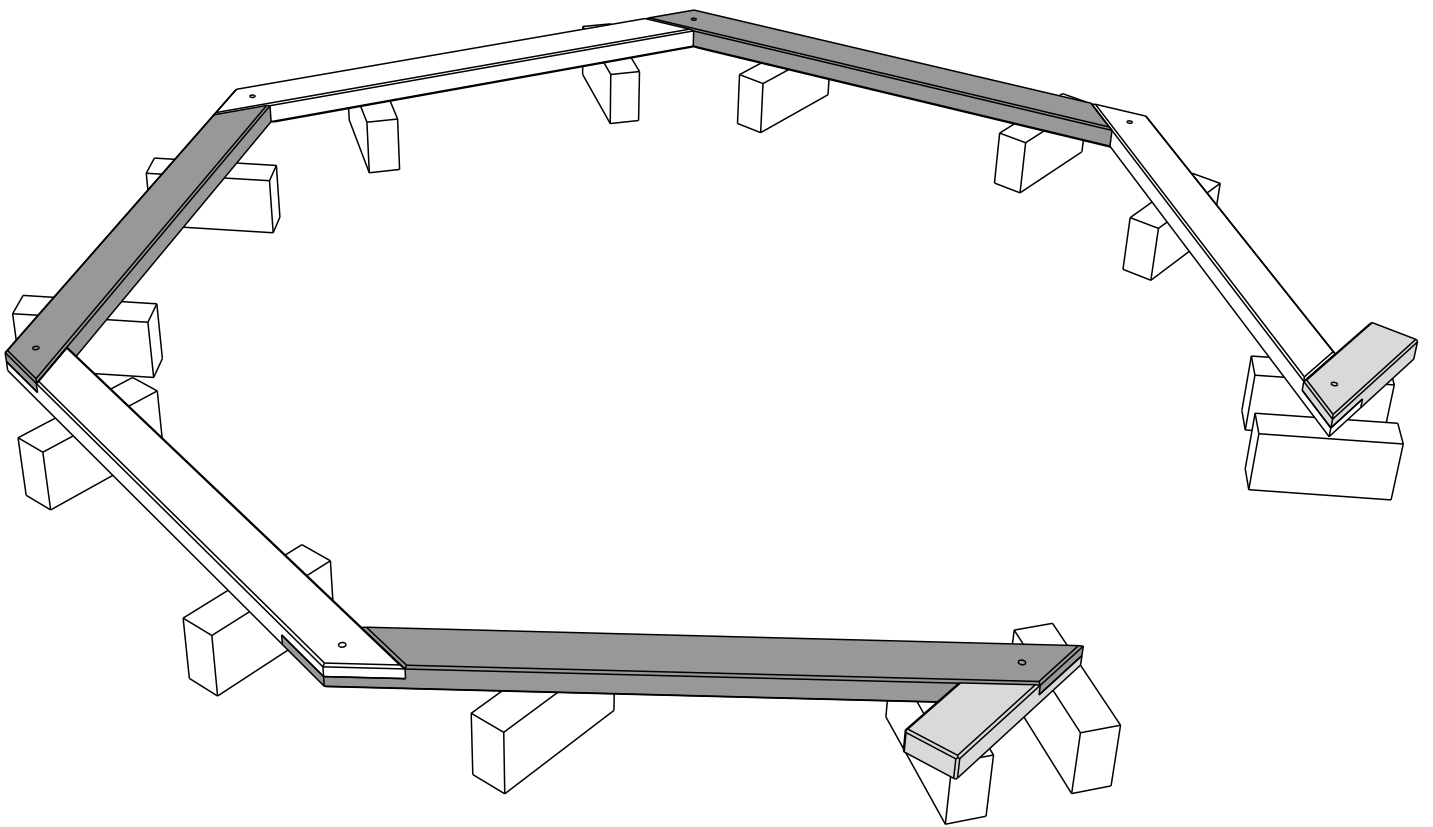


# FOOTPRINT

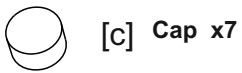
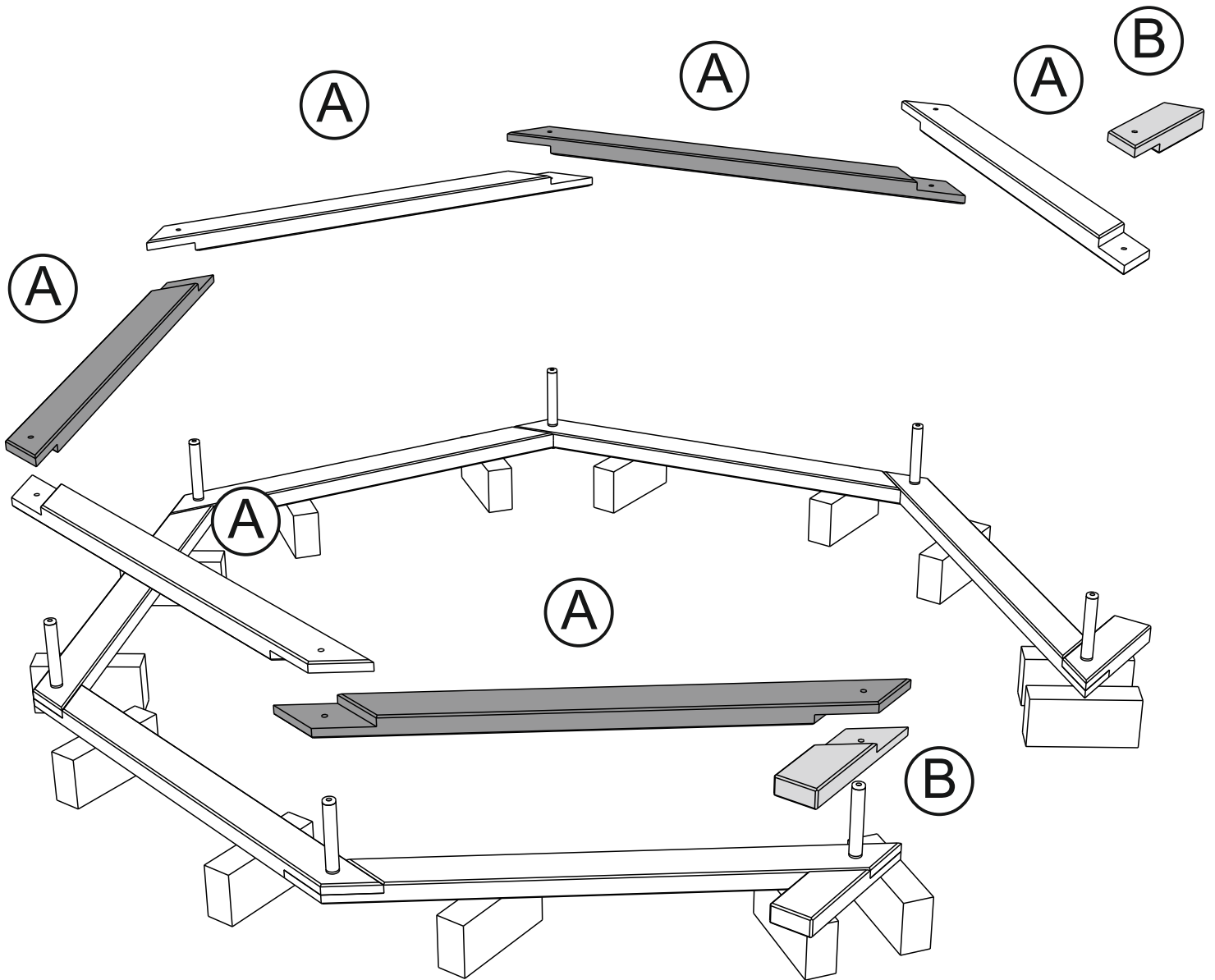




Ensure you place the joints in a position which is accessible for inserting the metal rods at the next stage.

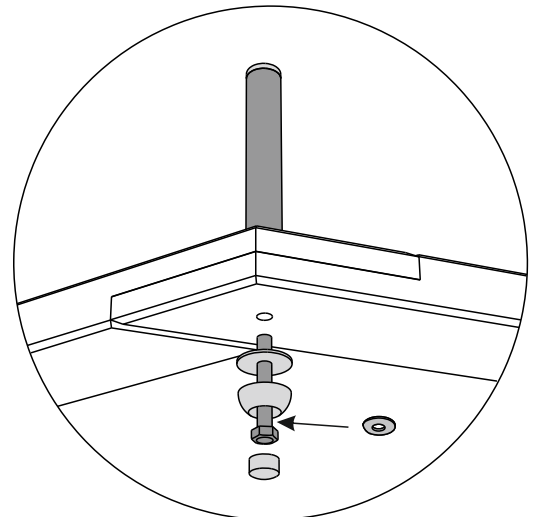
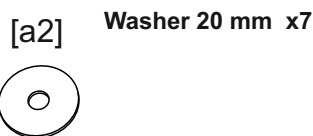
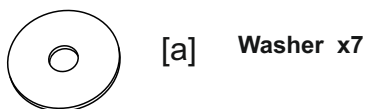
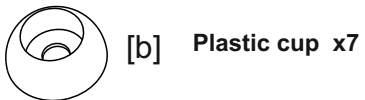
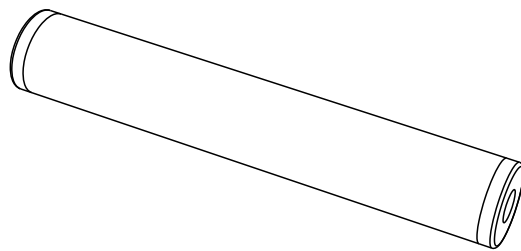
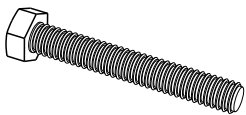


Connect the metal rods to the bottom 'Hex' before installing the second 'Hex' on top.



[e] Metal rods x7

[d] M10 x 70 hex bolt x7

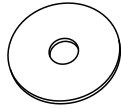




[c] Cap x7



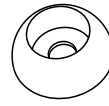
[a] Washer x7



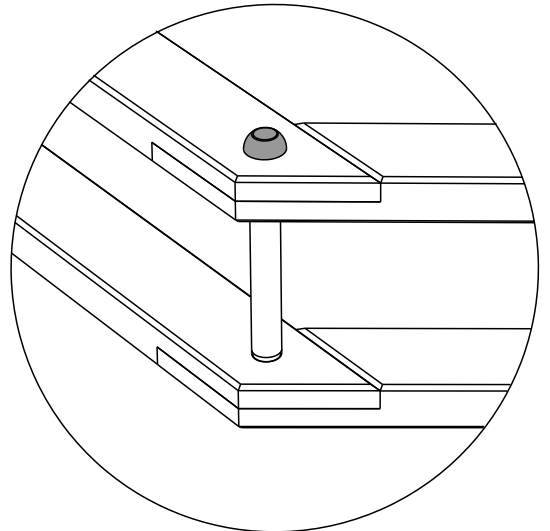
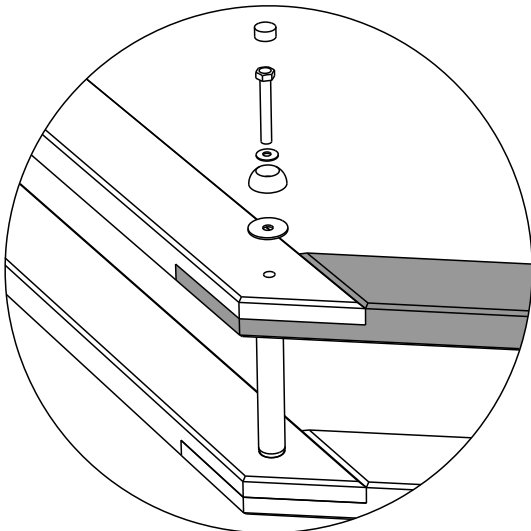
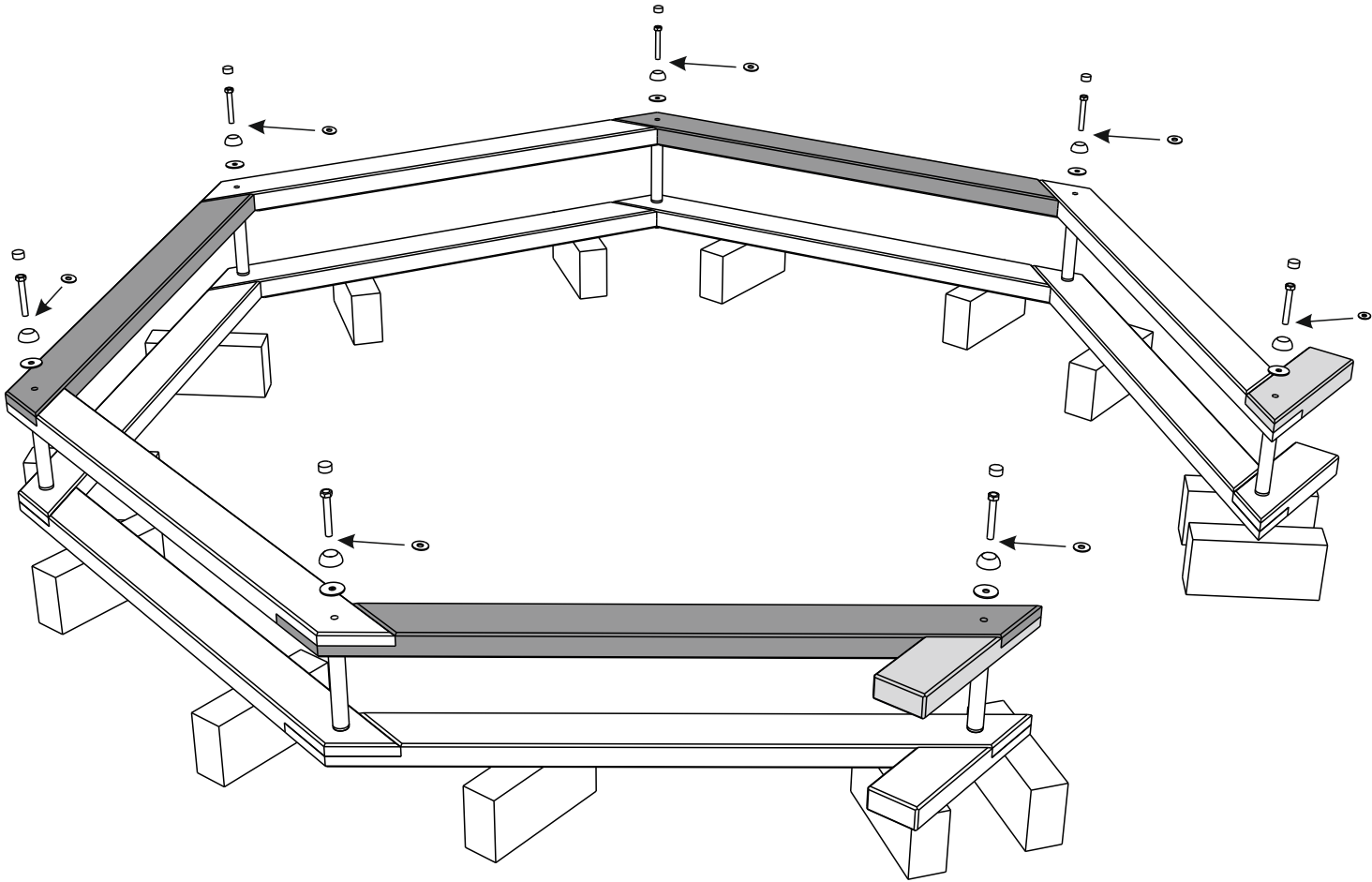
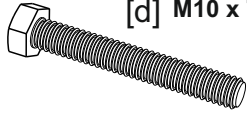
[a2] Washer 20 mm x7

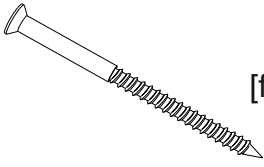


[b] Plastic cup x7

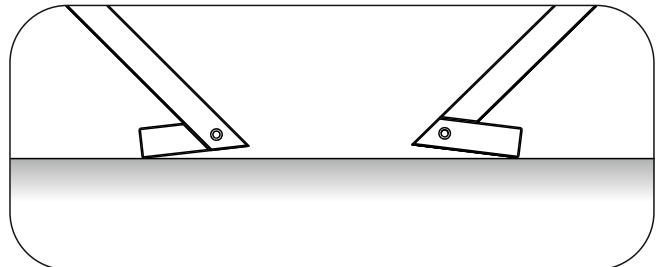
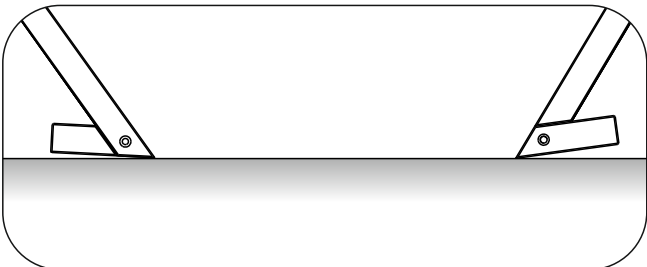
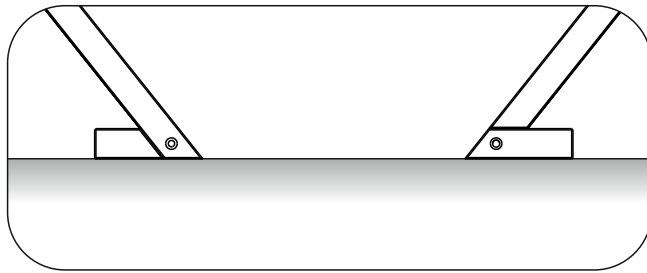
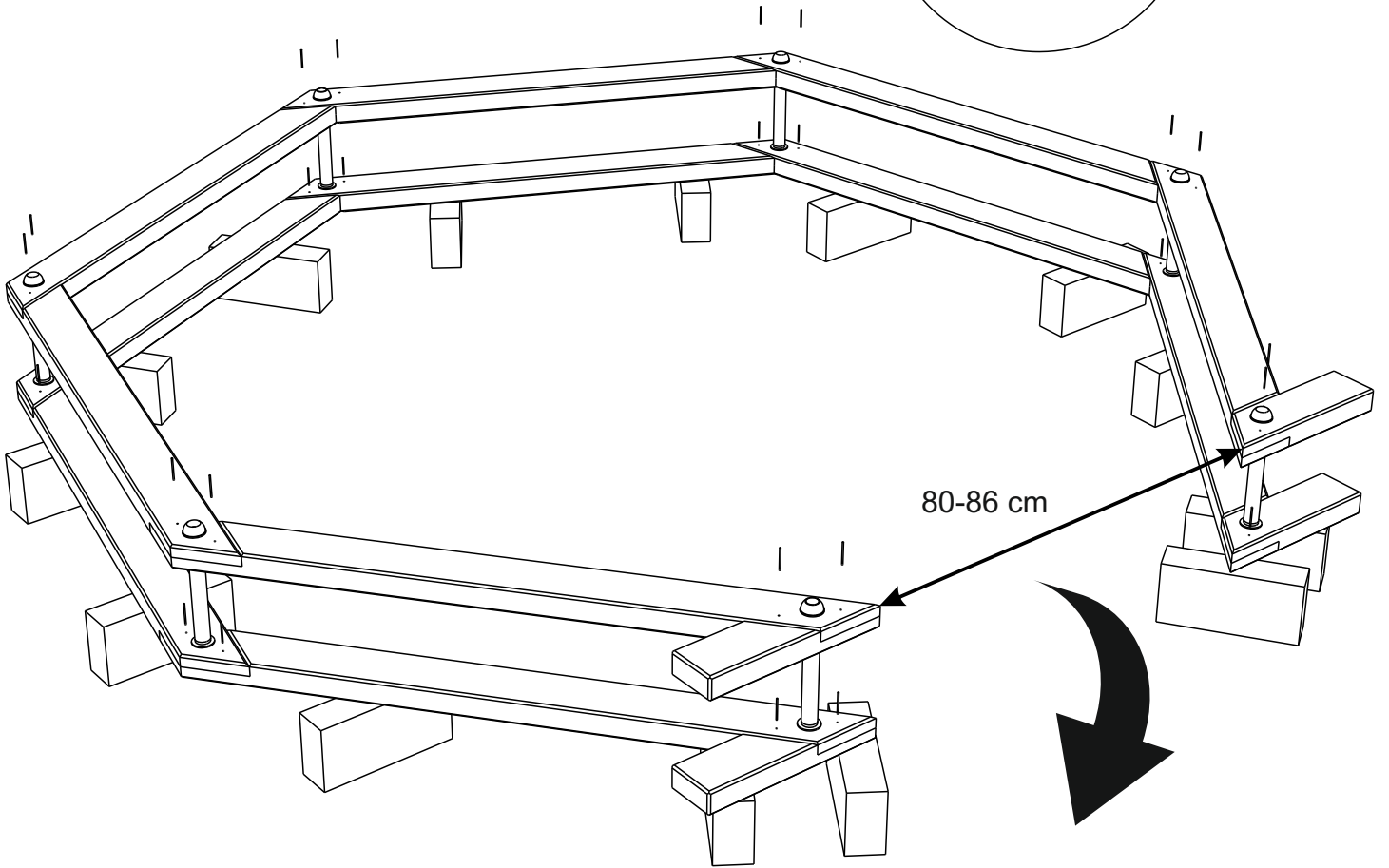
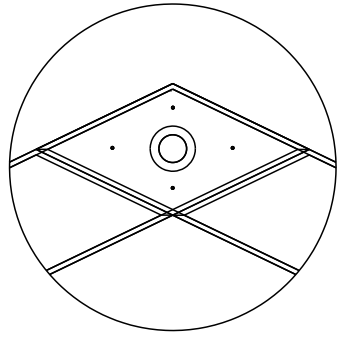


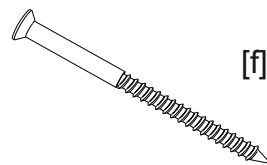
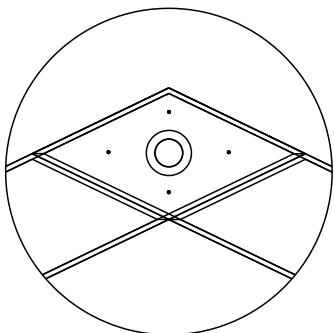
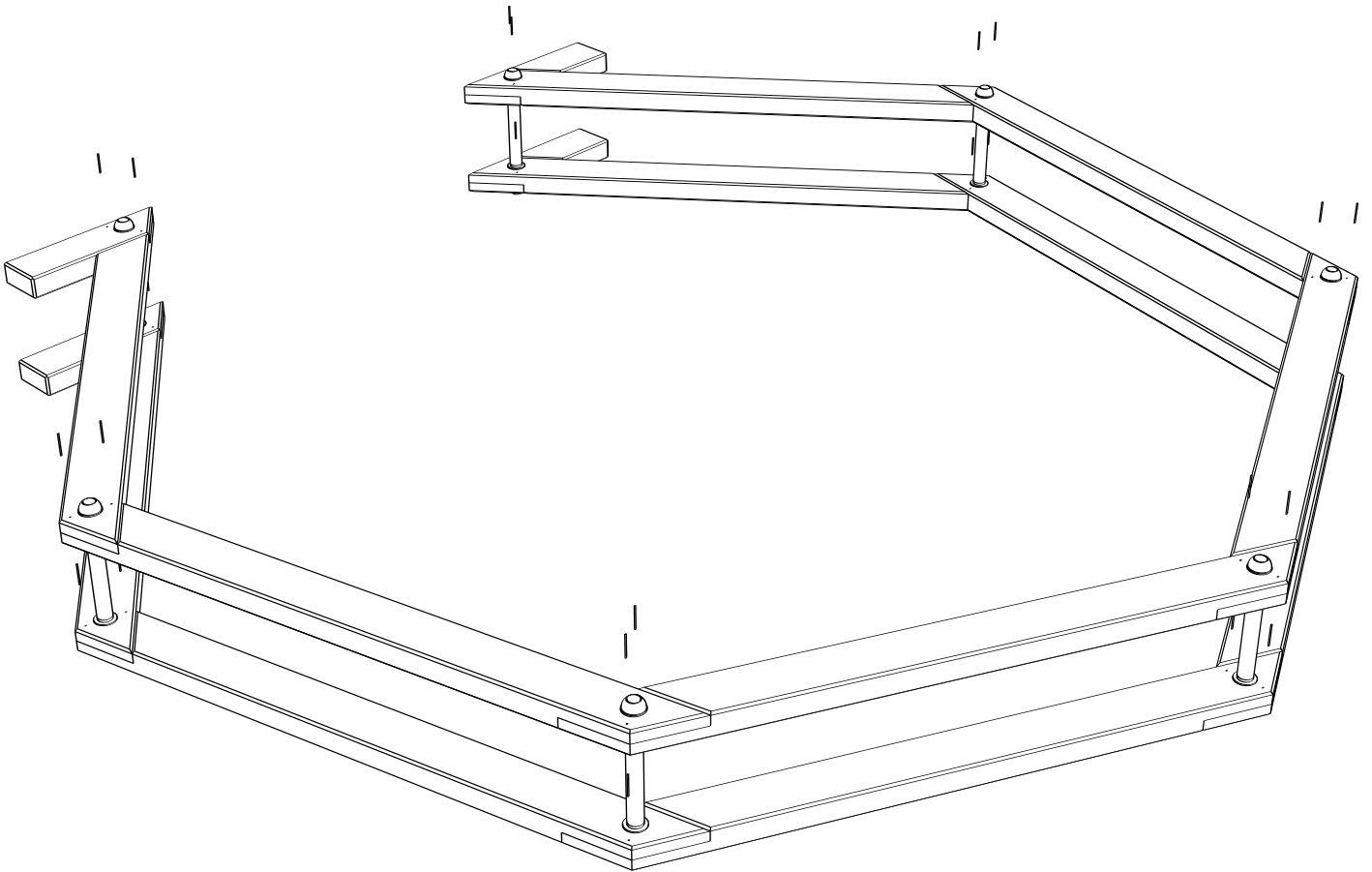
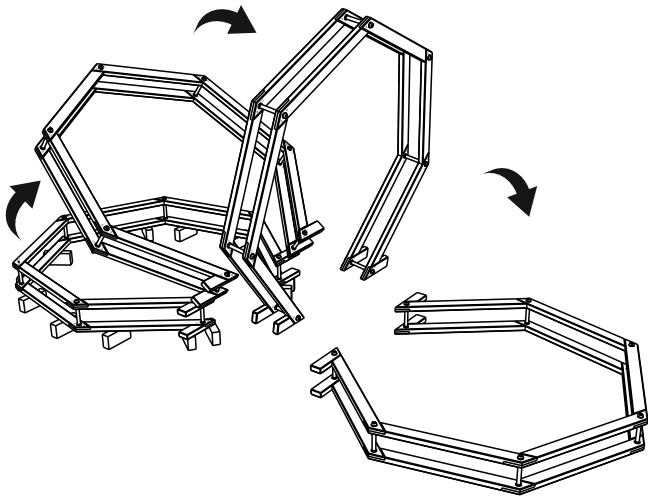
[d] M10 x 70 hex bolt x7



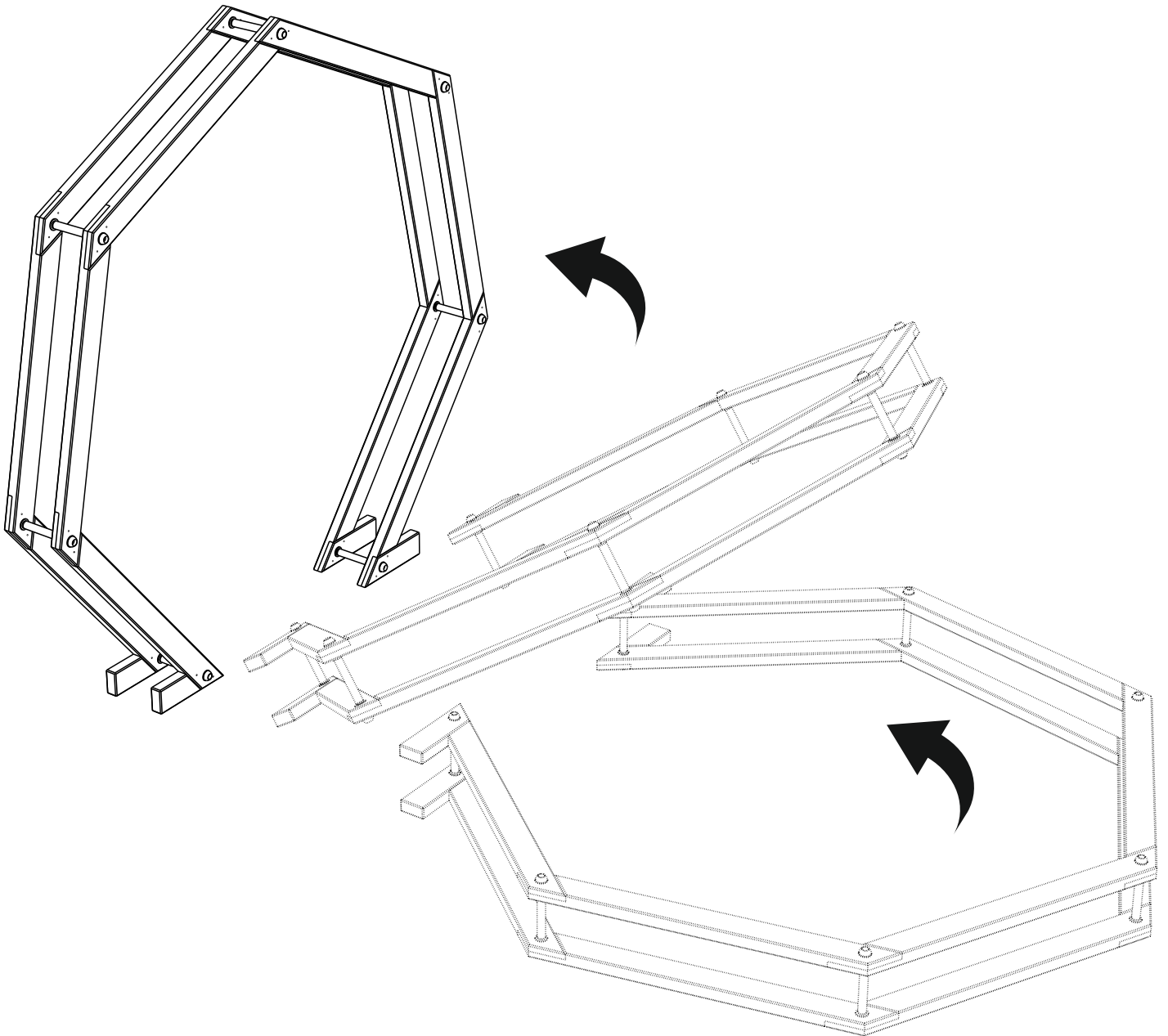


[f] Screw 4.0 cm x28





[f] Screw 4.0 cm x28

**AFTERCARE**

To ensure longevity of your structure it is recommended that it is treated with a wood preservative on a yearly basis.

**Your item is ready!**